


MODEL NUMBER: **836336CL** ADA COMPLIANT* SHOWER

Date: _____
 Customer: _____
 PO #: _____
 Quantity: _____
 Model #: _____

Quote #: _____
 Job Name: _____
 Ship Via: FFA LTL
 Drop Ship: Fill in address below

To complete your order, this document must be signed and faxed to the Masco Bath Customer Service Department.
 FAX: (800) 822-9011 • Phone (800) 632-0911

Colors	<input type="checkbox"/> 00 White <input type="checkbox"/> 01 Bone <input type="checkbox"/> 02 Dark Bone <input type="checkbox"/> 03 Light Gray <input type="checkbox"/> 04 Biscuit
Ext. Dim.	62 3/4" x 36 3/4" x 78"
Dam Ht.	3/4"
Weight	270 lbs.
Material	Gelcoat
Warranty	5 Year Limited Warranty Residential 3 Year Limited Warranty Non Residential, Commercial
Code Listed	 ICC/ANSI A117.1-2003 IAPMO/ANSI Z124.1.2-2005 ASTM F462

STANDARD FEATURES

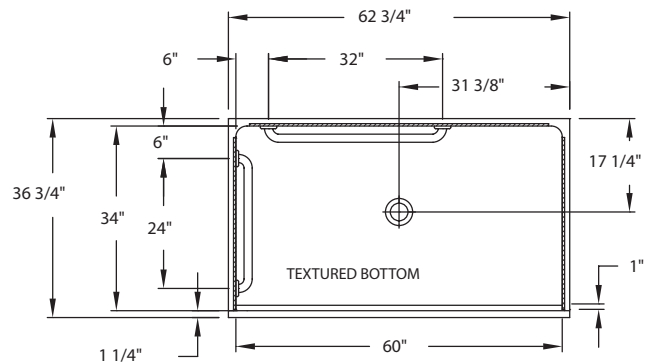
- Textured bottom
- 2 Stainless steel grab bars
- 24" Horizontal bar on left wall
- 32" Horizontal bar on back wall
- Chrome curtain rod w/antimicrobial green curtain

RECOMMENDED OPTIONS

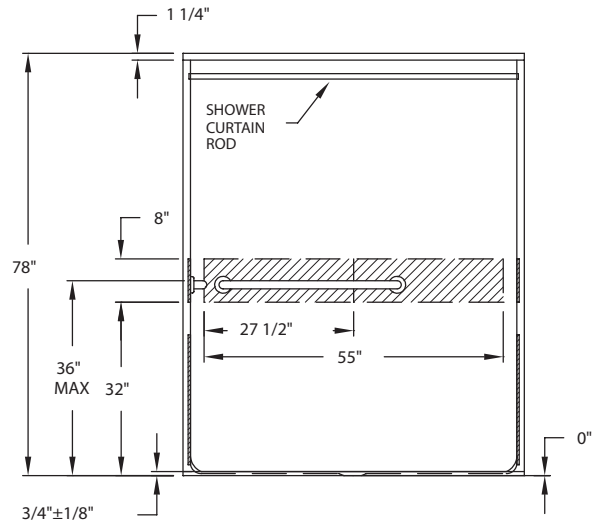
Fixtures	<input type="checkbox"/> Alsons & Delta Fixtures <input type="checkbox"/> Grohe Fixture
Delta Alsons Package	<input type="checkbox"/> White <input type="checkbox"/> Stainless Steel
Curtain Rod	<input type="checkbox"/> White <input type="checkbox"/> Bone
Curtains	<input type="checkbox"/> White <input type="checkbox"/> Bone
Seat	<input type="checkbox"/> White <input type="checkbox"/> Wood Grain
Grab Bars	<input type="checkbox"/> White
Collapsible Threshold	<input type="checkbox"/> White

*Must be installed with optional seat to meet ADA compliance.

Custom changes can be indicated on drawings.
 For pricing of units and options, please reference
 our complete pricebook.



TOP VIEW



FRONT VIEW



_____	/ /	_____	/ /
PLUMBING CONTRACTOR APPROVAL	DATE	GENERAL CONTRACTOR APPROVAL	DATE
_____	/ /	_____	/ /
ENGINEER APPROVAL	DATE	ARCHITECT APPROVAL	DATE

MODEL NUMBER: **836336CR** ADA COMPLIANT* SHOWER

Date: _____
 Customer: _____
 PO #: _____
 Quantity: _____
 Model #: _____

Quote #: _____
 Job Name: _____
 Ship Via: FFA LTL
 Drop Ship: Fill in address below

To complete your order, this document must be signed and faxed to the Masco Bath Customer Service Department.
 FAX: (800) 822-9011 • Phone (800) 632-0911

Colors	<input type="checkbox"/> 00 White <input type="checkbox"/> 01 Bone <input type="checkbox"/> 02 Dark Bone <input type="checkbox"/> 03 Light Gray <input type="checkbox"/> 04 Biscuit
Ext. Dim.	62 3/4" x 36 3/4" x 78"
Dam Ht.	3/4"
Weight	270 lbs.
Material	Gelcoat
Warranty	5 Year Limited Warranty Residential 3 Year Limited Warranty Non Residential, Commercial
Code Listed	  ICC/ANSI A117.1-2003 IAPMO/ANSI Z124.1.2-2005 ASTM F462

STANDARD FEATURES

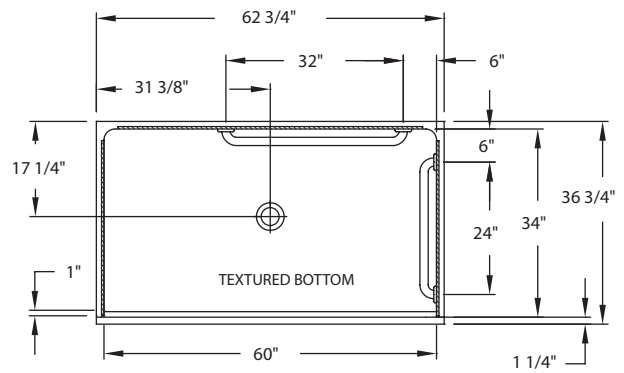
- Textured bottom
- 2 Stainless steel grab bars
- 32" Horizontal bar on back wall
- 24" Horizontal bar on right wall
- Chrome curtain rod w/antimicrobial green curtain

RECOMMENDED OPTIONS

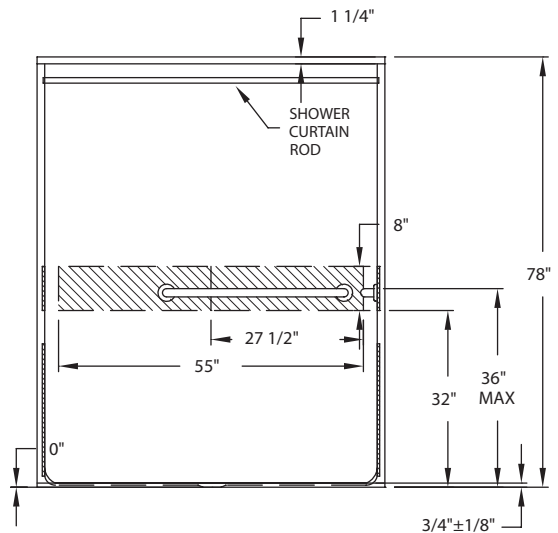
Fixtures	<input type="checkbox"/> Alsons & Delta Fixtures <input type="checkbox"/> Grohe Fixture
Delta Alsons Package	<input type="checkbox"/> White <input type="checkbox"/> Stainless Steel
Curtain Rod	<input type="checkbox"/> White <input type="checkbox"/> Bone
Curtains	<input type="checkbox"/> White <input type="checkbox"/> Bone
Seat	<input type="checkbox"/> White <input type="checkbox"/> Wood Grain
Grab Bars	<input type="checkbox"/> White
Collapsible Threshold	<input type="checkbox"/> White

*Must be installed with optional seat to meet ADA compliance.

Custom changes can be indicated on drawings.
 For pricing of units and options, please reference
 our complete pricebook.



TOP VIEW



FRONT VIEW

 PLUMBING CONTRACTOR APPROVAL

 DATE

 GENERAL CONTRACTOR APPROVAL

 DATE

 ENGINEER APPROVAL

 DATE

 ARCHITECT APPROVAL

 DATE