


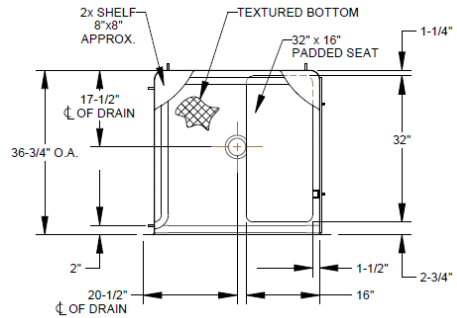
MODEL NUMBER: **6M4137DL**

Date: _____
 Customer: _____
 PO #: _____
 Quantity: _____
 Model #: _____

Quote #: _____
 Job Name: _____
 Ship Via: FFA LTL
 Drop Ship: Fill in address below

To complete your order, this document must be signed and faxed to the Masco Bath Customer Service Department.
 FAX: (800) 822-9011 • Phone (800) 632-0911

Colors	<input type="checkbox"/> 00 White <input type="checkbox"/> 01 Bone <input type="checkbox"/> 02 Dark Bone <input type="checkbox"/> 03 Light Gray <input type="checkbox"/> 04 Biscuit
Designer Colors	<input type="checkbox"/> 08 Soft White <input type="checkbox"/> 55 Sandstone <input type="checkbox"/> 73 Pearl <input type="checkbox"/> 93 Sandalwood
Ext. Dim.	41" x 36 3/4" x 80 7/8"
Threshold Ht.	3/4"
Weight	290 lbs.
Material	Acrylic Fiberglass
Warranty	3 Year
Code Listed	 IAPMO/ANSI Z124.1.2-2005 ASTM F446-85 (2009)



TOP VIEW

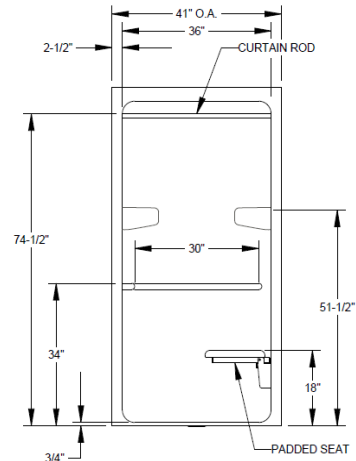
STANDARD FEATURES

- MA 521 CMR compliant
- Textured bottom
- 1 - 30" Horizontal bar on back wall
- 1 - 30" Horizontal bar on left side wall
- Padded fold-down seat on right side wall
- Chrome curtain rod
- Antimicrobial green curtain

RECOMMENDED OPTIONS

Fixtures	<input type="checkbox"/> Alsons & Delta Fixtures <input type="checkbox"/> Grohe Fixtures
Delta Alsons Package	<input type="checkbox"/> White <input type="checkbox"/> Stainless Steel
Curtain Rod	<input type="checkbox"/> White <input type="checkbox"/> Bone <input type="checkbox"/> Chrome
Curtains	<input type="checkbox"/> Green <input type="checkbox"/> White <input type="checkbox"/> Bone
Dome Light	<input type="checkbox"/> Polished Chrome
Collapsible Threshold	<input type="checkbox"/> White
Ramp	<input type="checkbox"/> White

Custom changes can be indicated on drawings.
 For pricing of units and options, please reference
 our complete price book.



FRONT VIEW

_____/_____/_____
 PLUMBING CONTRACTOR APPROVAL DATE GENERAL CONTRACTOR APPROVAL DATE



_____/_____/_____
 ENGINEER APPROVAL DATE ARCHITECT APPROVAL DATE

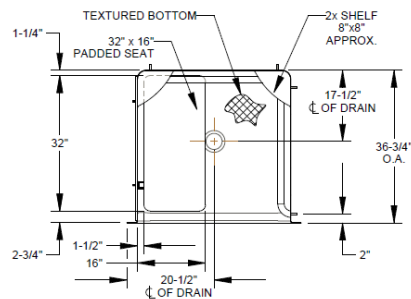
MODEL NUMBER: 6M4137DR

Date: _____
 Customer: _____
 PO #: _____
 Quantity: _____
 Model #: _____

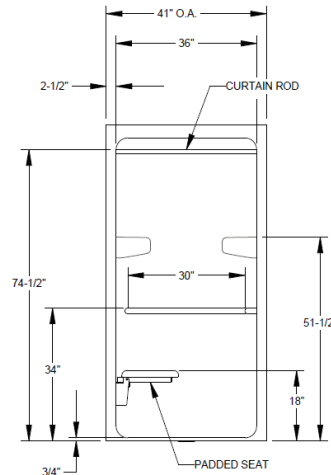
Quote #: _____
 Job Name: _____
 Ship Via: FFA LTL
 Drop Ship: Fill in address below

**To complete your order, this document must be signed and faxed to the Masco Bath Customer Service Department.
 FAX: (800) 822-9011 • Phone (800) 632-0911**

Colors	<input type="checkbox"/> 00 White <input type="checkbox"/> 01 Bone <input type="checkbox"/> 02 Dark Bone <input type="checkbox"/> 03 Light Gray <input type="checkbox"/> 04 Biscuit
Designer Colors	<input type="checkbox"/> 08 Soft White <input type="checkbox"/> 55 Sandstone <input type="checkbox"/> 73 Pearl <input type="checkbox"/> 93 Sandalwood
Ext. Dim.	41" x 36 3/4" x 80 7/8"
Threshold Ht.	3/4"
Weight	290 lbs.
Material	Acrylic Fiberglass
Warranty	3 Year
Code Listed	  IAPMO/ANSI Z124.1.2-2005 ASTM F446-85 (2009)



TOP VIEW



FRONT VIEW

STANDARD FEATURES

- MA 521 CMR compliant
- Textured bottom
- 1 - 30" Horizontal bar on back wall
- 1 - 30" Horizontal bar on right side wall
- Padded fold-down seat on left side wall
- Chrome curtain rod
- Antimicrobial green curtain

RECOMMENDED OPTIONS

Fixtures	<input type="checkbox"/> Alsons & Delta Fixtures <input type="checkbox"/> Grohe Fixtures
Delta Alsons Package	<input type="checkbox"/> White <input type="checkbox"/> Stainless Steel
Curtain Rod	<input type="checkbox"/> White <input type="checkbox"/> Bone <input type="checkbox"/> Chrome
Curtains	<input type="checkbox"/> Green <input type="checkbox"/> White <input type="checkbox"/> Bone
Dome Light	<input type="checkbox"/> Polished Chrome
Collapsible Threshold	<input type="checkbox"/> White
Ramp	<input type="checkbox"/> White

*Custom changes can be indicated on drawings.
 For pricing of units and options, please reference
 our complete price book.*

_____/_____/_____
 PLUMBING CONTRACTOR APPROVAL DATE GENERAL CONTRACTOR APPROVAL DATE

_____/_____/_____
 ENGINEER APPROVAL DATE ARCHITECT APPROVAL DATE