



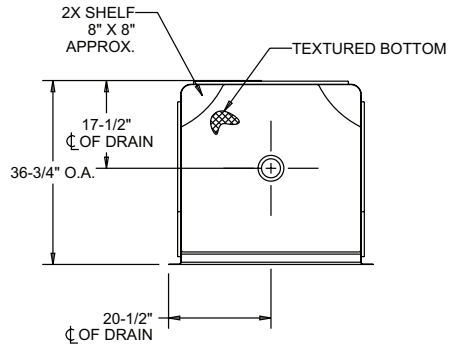
MODEL NUMBER: **684137CC**

Date: _____
 Customer: _____
 PO #: _____
 Quantity: _____
 Model #: _____

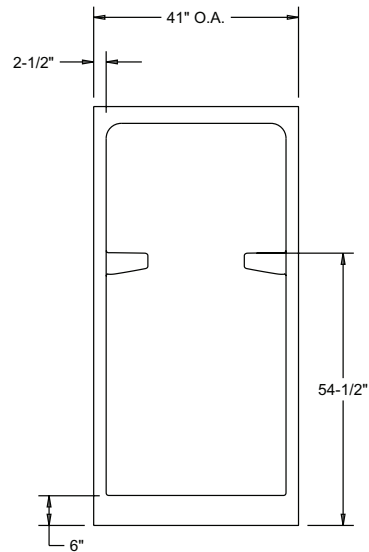
Quote #: _____
 Job Name: _____
 Ship Via: FFA LTL
 Drop Ship: Fill in address below

To complete your order, this document must be signed and faxed to the Masco Bath Customer Service Department.
 FAX: (800) 822-9011 • Phone (800) 632-0911

Colors	<input type="checkbox"/> 00 White <input type="checkbox"/> 01 Bone <input type="checkbox"/> 02 Dark Bone <input type="checkbox"/> 03 Light Gray <input type="checkbox"/> 04 Biscuit
Designer Colors	<input type="checkbox"/> 08 Soft White <input type="checkbox"/> 55 Sandstone <input type="checkbox"/> 73 Pearl <input type="checkbox"/> 93 Sandalwood
Ext. Dim.	41" x 36 3/4" x 83 7/8"
Dam Ht.	2 7/8"
Weight	290 lbs.
Material	Acrylic Fiberglass
Warranty	3 Year
Code Listed	  ICC/ANSI A117.1-2003 IAPMO/ANSI Z124.1.2-2005



TOP VIEW



FRONT VIEW

STANDARD FEATURES

- HUD adaptable
- Textured bottom
- Structural reinforcements for future grab bar and seat installation
- 2 shelves

Custom changes can be indicated on drawings.
 For pricing of units and options, please reference our complete pricebook.

_____/_____/_____
 PLUMBING CONTRACTOR APPROVAL DATE GENERAL CONTRACTOR APPROVAL DATE

_____/_____/_____
 ENGINEER APPROVAL DATE ARCHITECT APPROVAL DATE