



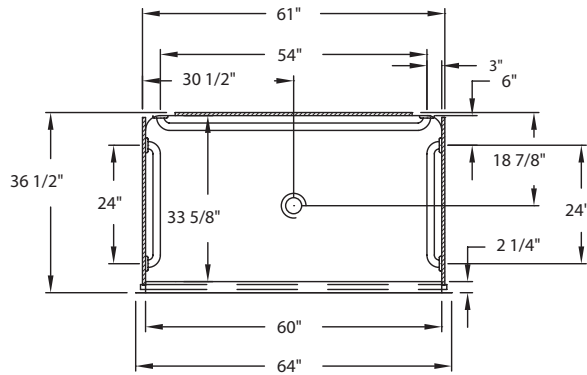
MODEL NUMBER: **636437CC**

Date: \_\_\_\_\_  
 Customer: \_\_\_\_\_  
 PO #: \_\_\_\_\_  
 Quantity: \_\_\_\_\_  
 Model #: \_\_\_\_\_

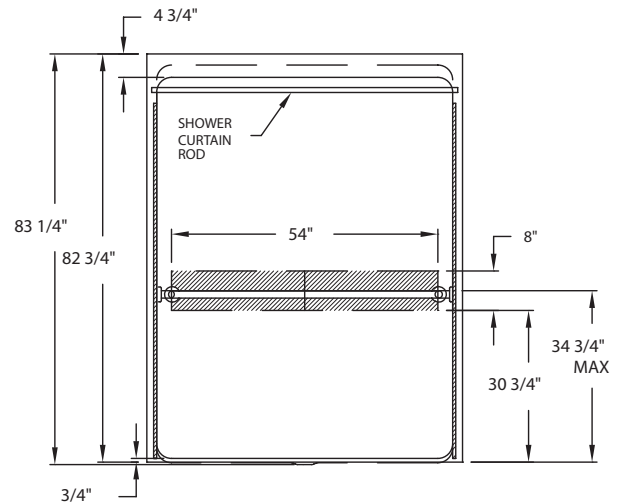
Quote #: \_\_\_\_\_  
 Job Name: \_\_\_\_\_  
 Ship Via:  FFA  LTL  
 Drop Ship:  Fill in address below  
 \_\_\_\_\_  
 \_\_\_\_\_

To complete your order, this document must be signed and faxed to the Masco Bath Customer Service Department.  
 FAX: (800) 822-9011 • Phone (800) 632-0911

<b>Colors</b>	<input type="checkbox"/> 00 White <input type="checkbox"/> 01 Bone <input type="checkbox"/> 02 Dark Bone <input type="checkbox"/> 03 Light Gray <input type="checkbox"/> 04 Biscuit
<b>Designer Colors</b>	<input type="checkbox"/> 08 Soft White <input type="checkbox"/> 55 Sandstone <input type="checkbox"/> 73 Pearl <input type="checkbox"/> 93 Sandalwood
<b>Ext. Dim.</b>	64" x 36 1/2" x 83 1/4"
<b>Dam Ht.</b>	3/8"
<b>Weight</b>	235 lbs.
<b>Material</b>	Acrylic Fiberglass
<b>Warranty</b>	3 Year
<b>Code Listed</b>	  ICC/ANSI A117.1-2003 IAPMO/ANSI Z124.1.2-2005 ASTM F446-85 (2009)



TOP VIEW



FRONT VIEW

**STANDARD FEATURES**

- ADA compliant
- Textured bottom
- 1 - 54" Horizontal bar on back wall
- 2 - 24" Horizontal bars on side walls
- Chrome curtain rod
- Antimicrobial green curtain

**RECOMMENDED OPTIONS**

<b>Fixtures</b>	<input type="checkbox"/> Alsons & Delta Fixtures <input type="checkbox"/> Grohe Fixture
<b>Delta Alsons Package</b>	<input type="checkbox"/> White <input type="checkbox"/> Stainless Steel
<b>Curtain Rod</b>	<input type="checkbox"/> White <input type="checkbox"/> Bone
<b>Curtains</b>	<input type="checkbox"/> White <input type="checkbox"/> Bone
<b>Dome Light</b>	<input type="checkbox"/> Polished Chrome
<b>Grab Bar</b>	<input type="checkbox"/> White
<b>Collapsible Threshold</b>	<input type="checkbox"/> White

Custom changes can be indicated on drawings.  
 For pricing of units and options, please reference  
 our complete pricebook.

\_\_\_\_\_/\_\_\_\_\_/\_\_\_\_\_  
 PLUMBING CONTRACTOR APPROVAL DATE GENERAL CONTRACTOR APPROVAL DATE

\_\_\_\_\_/\_\_\_\_\_/\_\_\_\_\_  
 ENGINEER APPROVAL DATE ARCHITECT APPROVAL DATE