



MODEL NUMBER: **634137FR**

Date: \_\_\_\_\_  
 Customer: \_\_\_\_\_  
 PO #: \_\_\_\_\_  
 Quantity: \_\_\_\_\_  
 Model #: \_\_\_\_\_

Quote #: \_\_\_\_\_  
 Job Name: \_\_\_\_\_  
 Ship Via:  FFA  LTL  
 Drop Ship:  Fill in address below  
 \_\_\_\_\_  
 \_\_\_\_\_

To complete your order, this document must be signed and faxed to the Masco Bath Customer Service Department.  
 FAX: (800) 822-9011 • Phone (800) 632-0911

|                        |  |
|------------------------|--|
| <b>Colors</b>          | <input type="checkbox"/> 00 White <input type="checkbox"/> 01 Bone <input type="checkbox"/> 02 Dark Bone<br><input type="checkbox"/> 03 Light Gray <input type="checkbox"/> 04 Biscuit                                 |
| <b>Designer Colors</b> | <input type="checkbox"/> 08 Soft White <input type="checkbox"/> 55 Sandstone<br><input type="checkbox"/> 73 Pearl <input type="checkbox"/> 93 Sandalwood   |
| <b>Ext. Dim.</b>       | 41" x 36 3/4" x 83 7/8"  |
| <b>Dam Ht.</b>         | 2 7/8"   |
| <b>Weight</b>          | 290 lbs.   |
| <b>Material</b>        | Acrylic Fiberglass   |
| <b>Warranty</b>        | 3 Year   |
| <b>Code Listed</b>     |  <br>IAPMO/ANSI Z124.1.2-2005<br>ASTM F446-85 (2009) |

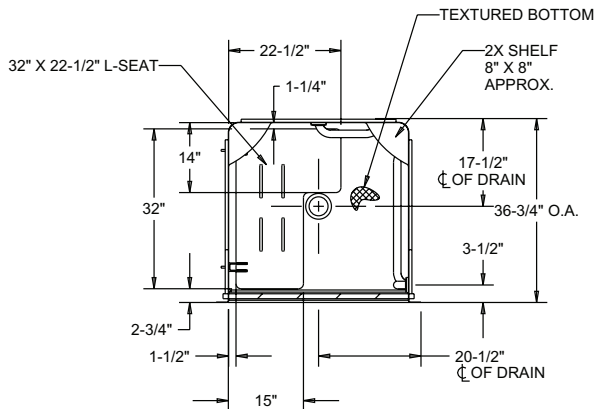
**STANDARD FEATURES**

- Textured bottom
- 1 - 12" Horizontal bar on back wall
- 1 - 18" Vertical bar on side wall
- 1 - 27" Horizontal bar on side wall
- 2 shelves
- Fold down wood grain seat
- Chrome curtain rod
- Antimicrobial green curtain

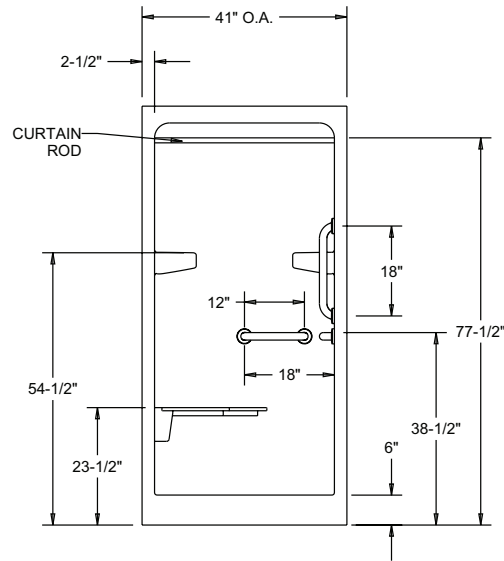
**RECOMMENDED OPTIONS**

|                             |  |
|-----------------------------|--|
| <b>Fixtures</b>             | <input type="checkbox"/> Alsons & Delta Fixtures             |
|                             | <input type="checkbox"/> Grohe Fixture                       |
| <b>Delta Alsons Package</b> | <input type="checkbox"/> White                               |
|                             | <input type="checkbox"/> Stainless Steel                     |
| <b>Curtain Rod</b>          | <input type="checkbox"/> White <input type="checkbox"/> Bone |
| <b>Curtains</b>             | <input type="checkbox"/> White <input type="checkbox"/> Bone |
| <b>Dome Light</b>           | <input type="checkbox"/> Polished Chrome                     |
| <b>Seat</b>                 | <input type="checkbox"/> White                               |

Custom changes can be indicated on drawings.  
 For pricing of units and options, please reference  
 our complete pricebook.



TOP VIEW



FRONT VIEW

PLUMBING CONTRACTOR APPROVAL \_\_\_\_\_ / \_\_\_\_ / \_\_\_\_ DATE \_\_\_\_\_ GENERAL CONTRACTOR APPROVAL \_\_\_\_\_ / \_\_\_\_ / \_\_\_\_ DATE \_\_\_\_\_

ENGINEER APPROVAL \_\_\_\_\_ / \_\_\_\_ / \_\_\_\_ DATE \_\_\_\_\_ ARCHITECT APPROVAL \_\_\_\_\_ / \_\_\_\_ / \_\_\_\_ DATE \_\_\_\_\_