



MODEL NUMBER: **614837ER**

Date: \_\_\_\_\_  
 Customer: \_\_\_\_\_  
 PO #: \_\_\_\_\_  
 Quantity: \_\_\_\_\_  
 Model #: \_\_\_\_\_

Quote #: \_\_\_\_\_  
 Job Name: \_\_\_\_\_  
 Ship Via:  FFA  LTL  
 Drop Ship:  Fill in address below  
 \_\_\_\_\_  
 \_\_\_\_\_

To complete your order, this document must be signed and faxed to the Masco Bath Customer Service Department.  
 FAX: (800) 822-9011 • Phone (800) 632-0911

<b>Colors</b>	<input type="checkbox"/> 00 White <input type="checkbox"/> 01 Bone <input type="checkbox"/> 02 Dark Bone <input type="checkbox"/> 03 Light Gray <input type="checkbox"/> 04 Biscuit
<b>Designer Colors</b>	<input type="checkbox"/> 08 Soft White <input type="checkbox"/> 55 Sandstone <input type="checkbox"/> 73 Pearl <input type="checkbox"/> 93 Sandalwood
<b>Ext. Dim.</b>	48" x 35" x 90"
<b>Threshold Ht.</b>	6"
<b>Weight</b>	194 lbs.
<b>Material</b>	Acrylic Fiberglass
<b>Warranty</b>	3 Year
<b>Code Listed</b>	  IAPMO/ANSI Z124.1.2-2005 CAN/CSA B45.5-05

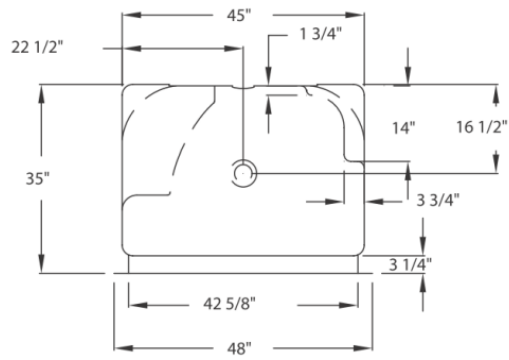
**STANDARD FEATURES**

- 1-piece shower
- Textured bottom
- Molded-in seat – opposite valve wall
- Nailing flange
- 2 Soap ledges/dishes
- Molded-in footrest on valve wall

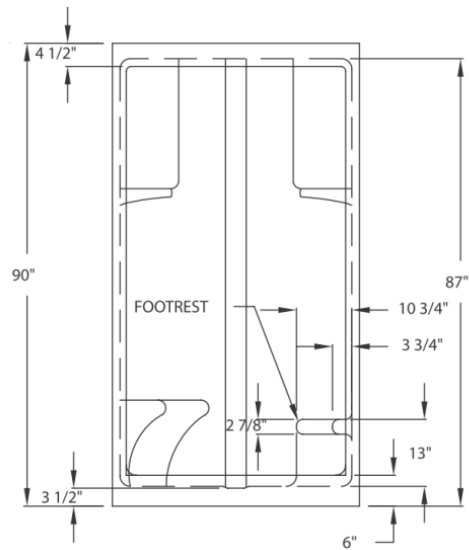
**RECOMMENDED OPTIONS**

<b>Curtain Rod</b>	<input type="checkbox"/> White <input type="checkbox"/> Bone <input type="checkbox"/> Chrome
<b>Curtains</b>	<input type="checkbox"/> Green <input type="checkbox"/> White <input type="checkbox"/> Bone
<b>Dome Light</b>	<input type="checkbox"/> Polished Chrome

*For pricing of units and options, please reference our complete price book.*



TOP VIEW



FRONT VIEW

\_\_\_\_\_/\_\_\_\_\_/\_\_\_\_\_  
 PLUMBING CONTRACTOR APPROVAL DATE GENERAL CONTRACTOR APPROVAL DATE

\_\_\_\_\_/\_\_\_\_\_/\_\_\_\_\_  
 ENGINEER APPROVAL DATE ARCHITECT APPROVAL DATE