


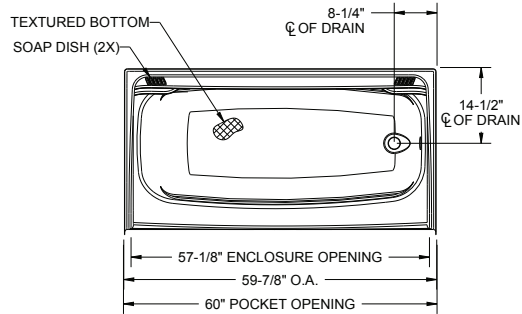
MODEL NUMBER: **226032CR00**

Date: _____
 Customer: _____
 PO #: _____
 Quantity: _____
 Model #: _____

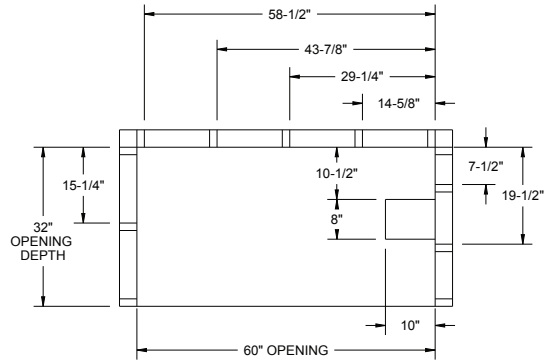
Quote #: _____
 Job Name: _____
 Ship Via: FFA LTL
 Drop Ship: Fill in address below

To complete your order, this document must be signed and faxed to the Masco Bath Customer Service Department.
 FAX: (800) 822-9011 • Phone (800) 632-0911

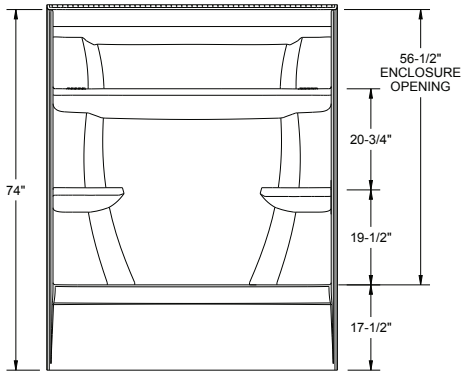
Colors	00 White	
Ext. Dim.	60" x 32" x 75"	
Int. Dim.	57" x 30" x 74"	
Skirt Ht.	17 1/2"	
Bathing Well	Basin Area	40" x 17"
	Top Area	55" x 25"
To Overflow	Water Depth	10 3/16"
	Capacity	37 gallons
Maximum Door Width	57 1/8"	
Maximum Door Height	56"	
Warranty	10 Year Limited Warranty Residential Applications 3 Year Limited Warranty Non Residential, Commercial Applications	
Weight	68 lbs.	
Material	Acrylic	
Code Listed	 IAPMO/ANSI Z124.1.2-2005 CAN/CSA B45.5-02 Products made with Acrylic with Innovex™ Technology are compliant with ASTM E84-09a Class C in accordance with NFPA and IBC classification. This test is equivalent to UL 732, ANSI/NFPA No. 255, and UBC No. 8-1.	



TOP VIEW



DRAIN AND STUD PLACEMENT



FRONT VIEW

STANDARD FEATURES

- High gloss acrylic surface
- Smooth, easy-to-handle backing
- Built-in screw guides
- One piece bathtub and shower
- Pre-leveled for easy installation
- Expanded multi-level storage holds a large variety of bathing supplies
- Wide bathing area for plenty of elbow room



GREENGUARD certified products meet stringent indoor air quality standards, creating healthier indoor environments. Visit greenguard.org to learn more.



_____ / ____ / _____ PLUMBING CONTRACTOR APPROVAL DATE GENERAL CONTRACTOR APPROVAL DATE

_____ / ____ / _____ ENGINEER APPROVAL DATE ARCHITECT APPROVAL DATE