



MODEL NUMBER: **216036CC00**

Date: _____
 Customer: _____
 PO #: _____
 Quantity: _____
 Model #: _____

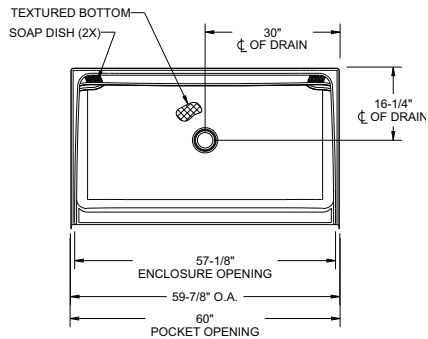
Quote #: _____
 Job Name: _____
 Ship Via: FFA LTL
 Drop Ship: Fill in address below

To complete your order, this document must be signed and faxed to the Masco Bath Customer Service Department.
 FAX: (800) 822-9011 • Phone (800) 632-0911

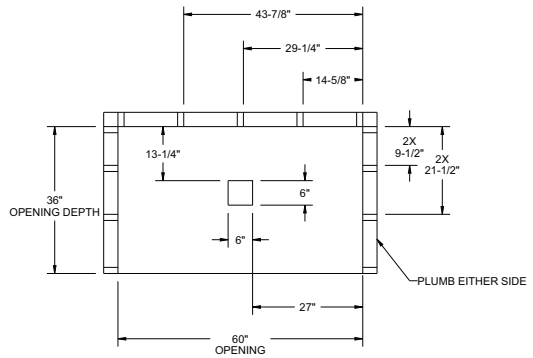
Colors	00 White
Ext. Dim.	60" x 36" x 76"
Int. Dim.	57" x 34 1/2" x 75"
Dam Ht.	6 1/2"
Maximum Door Width	58"
Maximum Door Height	68 1/2"
Warranty	10 Year Limited Warranty Residential Applications 3 Year Limited Warranty Non Residential, Commercial Applications
Weight	73 lbs.
Material	Acrylic
Code Listed	  IAPMO/ANSI Z124.1.2-2005 CAN/CSA B45.5-02 Products made with Acrylic with Innovex® Technology are compliant with ASTM E84-09a Class C in accordance with NFPA and IBC classification. This test is equivalent to UL 732, ANSI/NFPA No. 255, and UBC No. 8-1.

STANDARD FEATURES

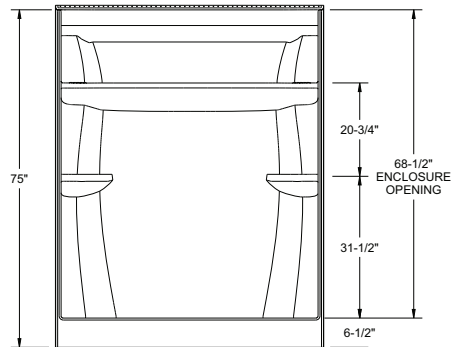
- High gloss acrylic surface
- Smooth, easy-to-handle backing
- Built-in screw guides
- One piece shower
- Pre-leveled for easy installation
- Expanded multi-level storage holds a large variety of bathing supplies
- Wide showering area for plenty of elbow room



TOP VIEW



DRAIN AND STUD PLACEMENT



FRONT VIEW



GREENGUARD certified products meet stringent indoor air quality standards, creating healthier indoor environments. Visit greenguard.org to learn more.



_____/_____/_____
 PLUMBING CONTRACTOR APPROVAL DATE GENERAL CONTRACTOR APPROVAL DATE

_____/_____/_____
 ENGINEER APPROVAL DATE ARCHITECT APPROVAL DATE