



MODEL NUMBER: **213637CC00**

Date: \_\_\_\_\_  
 Customer: \_\_\_\_\_  
 PO #: \_\_\_\_\_  
 Quantity: \_\_\_\_\_  
 Model #: \_\_\_\_\_

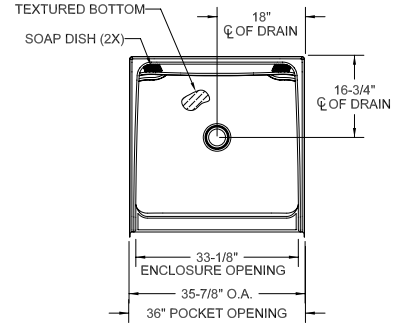
Quote #: \_\_\_\_\_  
 Job Name: \_\_\_\_\_  
 Ship Via:  FFA  LTL  
 Drop Ship:  Fill in address below  
 \_\_\_\_\_  
 \_\_\_\_\_

To complete your order, this document must be signed and faxed to the Masco Bath Customer Service Department.  
 FAX: (800) 822-9011 • Phone (800) 632-0911

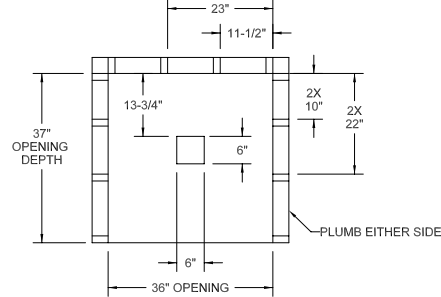
<b>Colors</b>	00 White
<b>Ext. Dim.</b>	36" x 37" x 76"
<b>Int. Dim.</b>	33" x 35 1/2" x 74"
<b>Dam Ht.</b>	6 1/2"
<b>Maximum Door Width</b>	33 1/8"
<b>Maximum Door Height</b>	68"
<b>Warranty</b>	10 Year Limited Warranty Residential Applications 3 Year Limited Warranty Non Residential, Commercial Applications
<b>Weight</b>	54 lbs.
<b>Material</b>	Acrylic
<b>Code Listed</b>	  IAPMO/ANSI Z124.1.2-2005 CAN/CSA B45.5-02 Products made with Acrylic with Innovex™ Technology are compliant with ASTM E84-09a Class C in accordance with NFPA and IBC classification. This test is equivalent to UL 732, ANSI/NFPA No. 255, and UBC No. 8-1.

**STANDARD FEATURES**

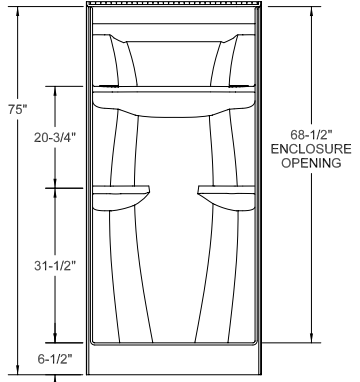
- High gloss acrylic surface
- Smooth, easy-to-handle backing
- Built-in screw guides
- One piece shower
- Pre-leveled for easy installation
- Expanded multi-level storage holds a large variety of bathing supplies
- Wide showering area for plenty of elbow room



TOP VIEW



DRAIN AND STUD PLACEMENT



FRONT VIEW



GREENGUARD certified products meet stringent indoor air quality standards, creating healthier indoor environments. Visit [greenguard.org](http://greenguard.org) to learn more.



\_\_\_\_\_/\_\_\_\_\_/\_\_\_\_\_  
 PLUMBING CONTRACTOR APPROVAL DATE GENERAL CONTRACTOR APPROVAL DATE

\_\_\_\_\_/\_\_\_\_\_/\_\_\_\_\_  
 ENGINEER APPROVAL DATE ARCHITECT APPROVAL DATE