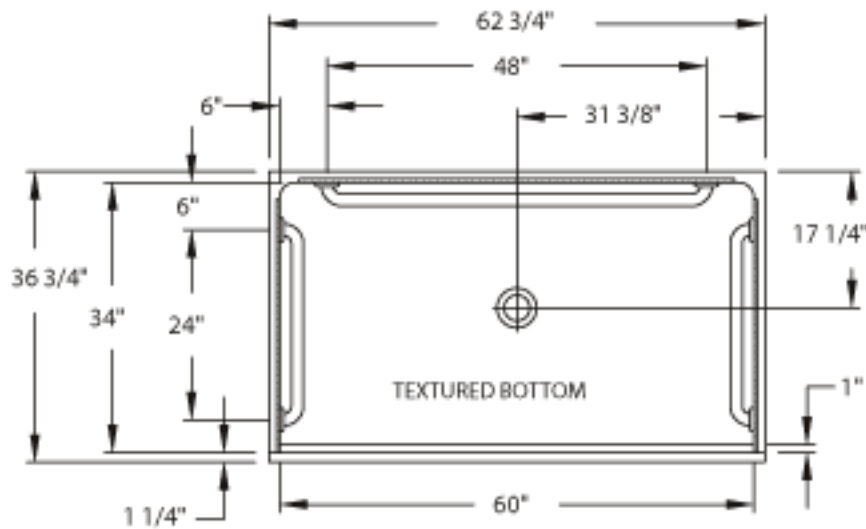
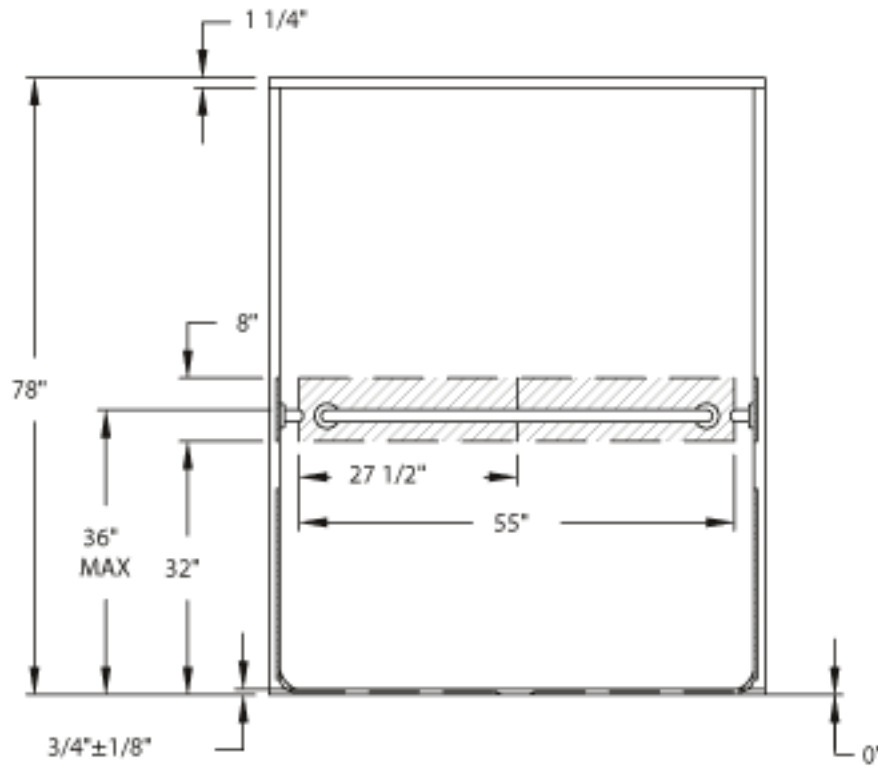


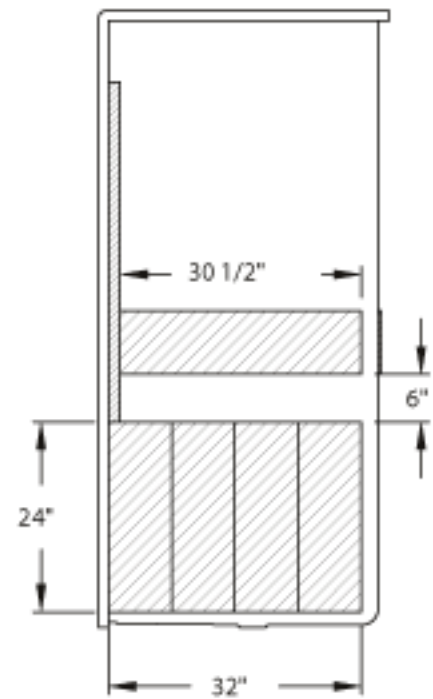
INFORMATION IN THIS DRAWING IS SUBJECT TO CHANGE WITHOUT NOTICE. NO PART OF THIS DRAWING MAY BE REPRODUCED OR TRANSMITTED IN ANY FORM OR BY ANY MEANS, ELECTRONIC OR MECHANICAL, FOR ANY PURPOSE WITHOUT THE WRITTEN PERMISSION OF AQUA GLASS CORPORATION.



TOP VIEW



FRONT VIEW



SIDE VIEW

TOLERANCE: ±1/4	GAL. TO OVERFLOW: 0	GENERAL NOTES 7/16" OSB BOARD	 320 INDUSTRIAL PARK RD. ADAMSVILLE, TN 38310	PRODUCT OR PART NO.:
REV: E	OPERATING CAPACITY: 0			836336DC
ECO NO.:	DRAWN BY:			PRODUCT NAME
3132	JAJ 7/13/09			DESIGNER
ECO DATE:	FIN. INTERIOR:	GELCOAT	SPECIAL CARE	
6/11/10	XX in ²			