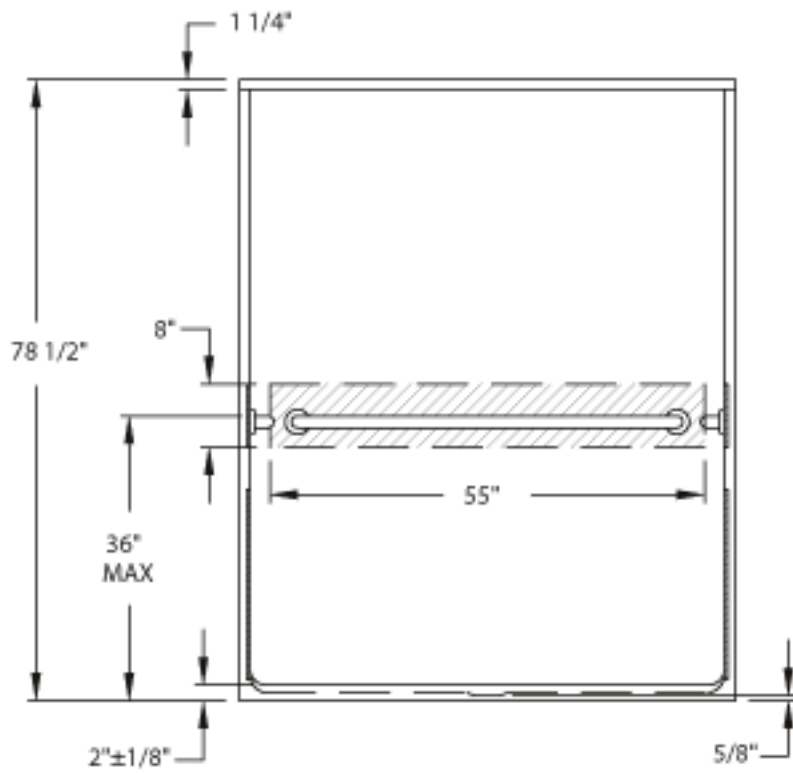
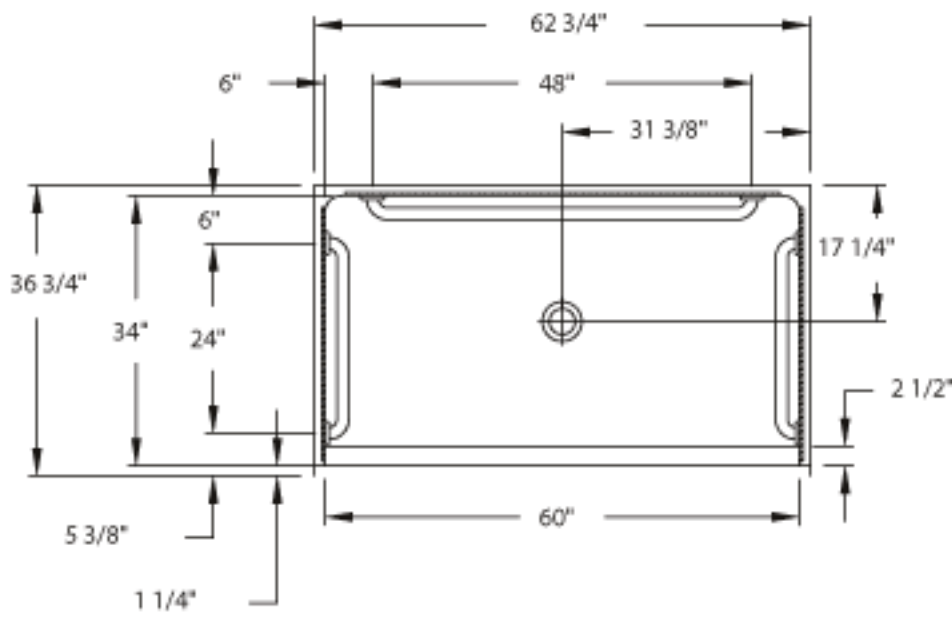
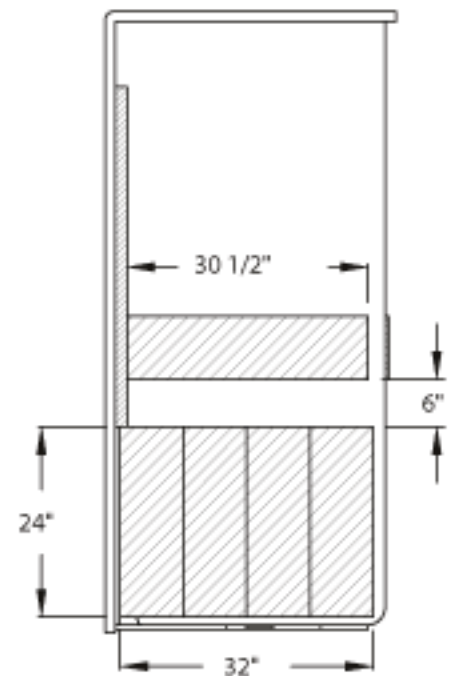


INFORMATION IN THIS DRAWING IS SUBJECT TO CHANGE WITHOUT NOTICE. NO PART OF THIS DRAWING MAY BE REPRODUCED OR TRANSMITTED IN ANY FORM OR BY ANY MEANS, ELECTRONIC OR MECHANICAL, FOR ANY PURPOSE WITHOUT THE WRITTEN PERMISSION OF AQUA GLASS CORPORATION.



FRONT VIEW



SIDE VIEW

TOLERANCE: ±1/4	GAL. TO OVERFLOW: 0	GENERAL NOTES  7/16" OSB BOARD	<p><b>AQUA GLASS</b>®</p> <p>320 INDUSTRIAL PARK RD. ADAMSVILLE, TN 38310</p>	PRODUCT OR PART NO.:
REV: J	OPERATING CAPACITY: 0			836336BC
ECO NO.:	DRAWN BY:			PRODUCT NAME
ECO DATE:	FIN. INTERIOR:			DESIGNER GELCOAT SPECIAL CARE