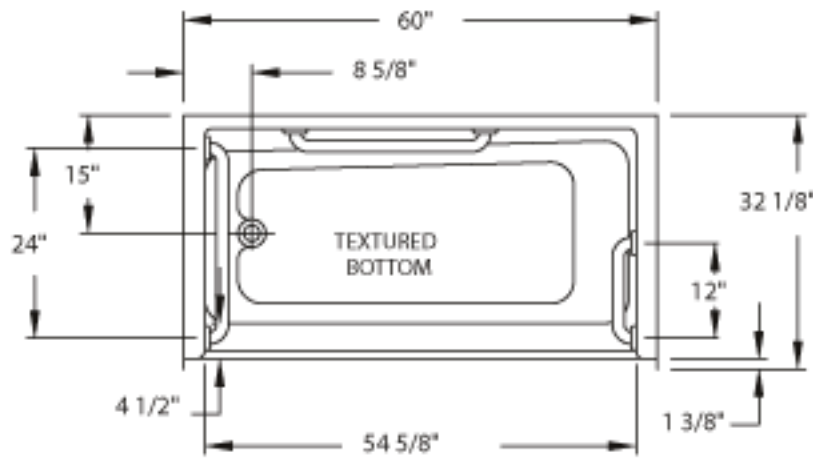
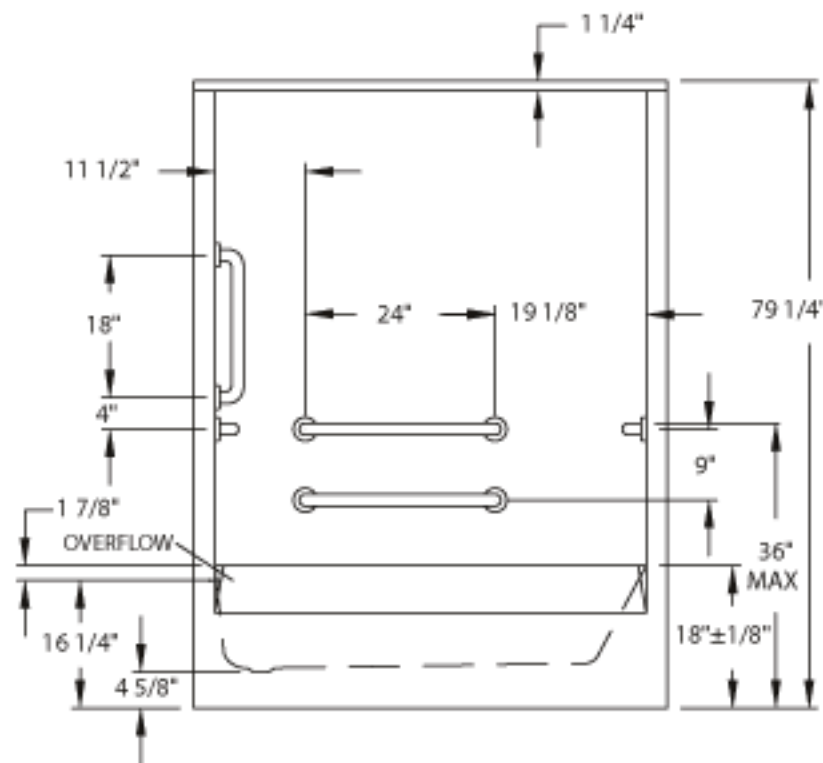


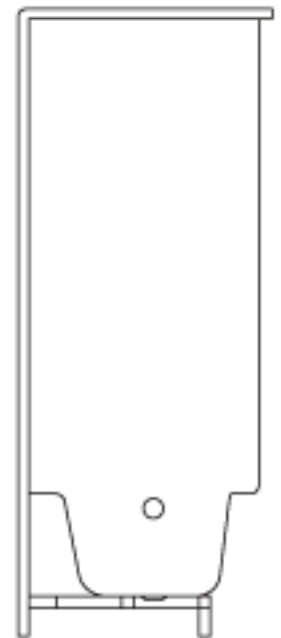
INFORMATION IN THIS DRAWING IS SUBJECT TO CHANGE WITHOUT NOTICE. NO PART OF THIS DRAWING MAY BE REPRODUCED OR TRANSMITTED IN ANY FORM OR BY ANY MEANS, ELECTRONIC OR MECHANICAL, FOR ANY PURPOSE WITHOUT THE WRITTEN PERMISSION OF AQUA GLASS CORPORATION.



TOP VIEW



FRONT VIEW



SIDE VIEW

TOLERANCE: ±1/4	GAL. TO OVERFLOW:	GENERAL NOTES BATHING WELL DIM. TOP 52 1/2" X 21 5/8" BOTTOM 45 5/8" X 18 3/8"	<p>AQUA GLASS®</p> <p>320 INDUSTRIAL PARK RD. ADAMSVILLE, TN 38310</p>	PRODUCT OR PART NO.:
REV: H	OPERATING CAPACITY:			836033C-R/L
ECO NO.:	DRAWN BY:			PRODUCT NAME
ECO DATE:	FIN. INTERIOR:			DESIGNER GELCOAT SPECIAL CARE
3132	C GOOCH			
6/11/10				