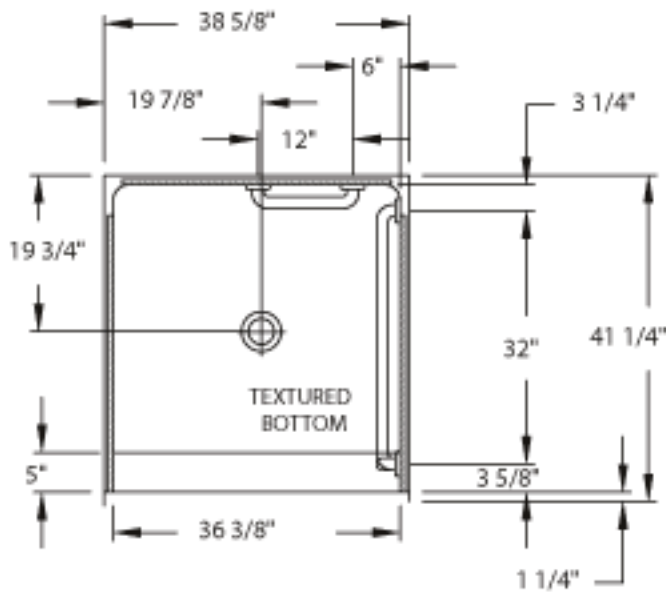


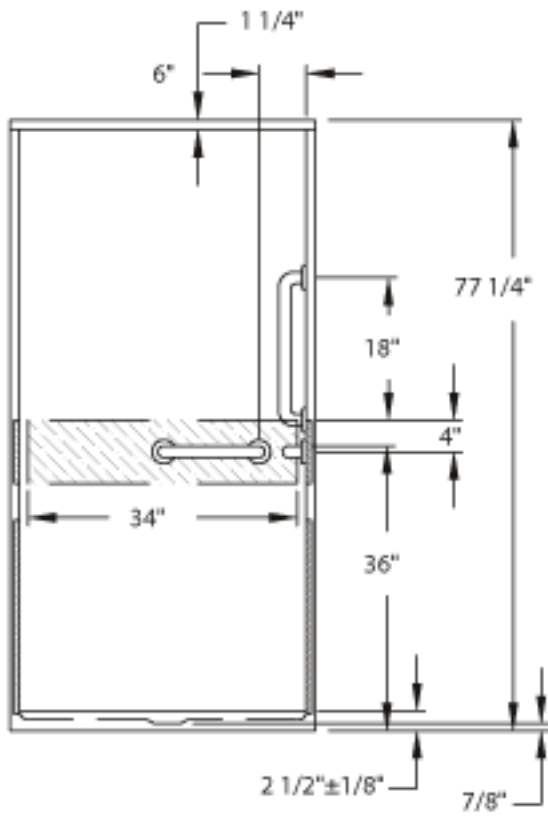
INFORMATION IN THIS DRAWING IS SUBJECT TO CHANGE WITHOUT NOTICE. NO PART OF THIS DRAWING MAY BE REPRODUCED OR TRANSMITTED IN ANY FORM OR BY ANY MEANS, ELECTRONIC OR MECHANICAL, FOR ANY PURPOSE WITHOUT THE WRITTEN PERMISSION OF AQUA GLASS CORPORATION.



TOP VIEW

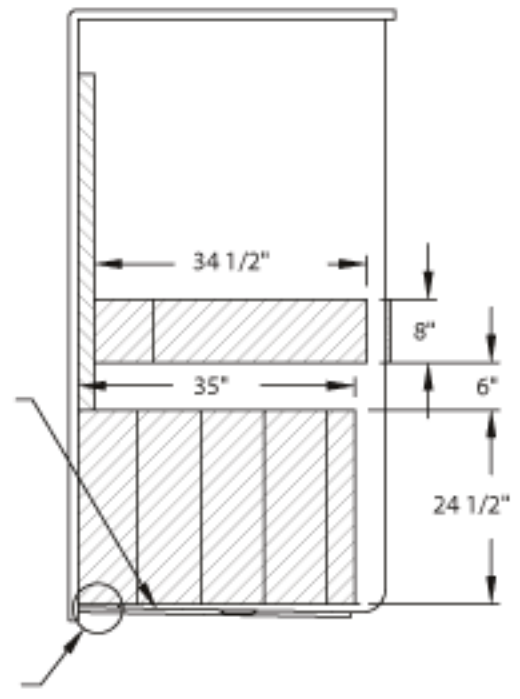


DETAIL A



FRONT VIEW

FLOOR SLOPES
1/4" PER FOOT



SIDE VIEW

TOLERANCE: ±1/4	GAL. TO OVERFLOW: 0	GENERAL NOTES 7/16" OSB BOARD
REV: J	OPERATING CAPACITY: 0	
ECO NO.: 3132	DRAWN BY: C Gooch	
ECO DATE: 6/11/10	FIN. INTERIOR: XX in ²	

AQUA GLASS®

320 INDUSTRIAL PARK RD.
ADAMSVILLE, TN 38310

PRODUCT OR PART NO.:
833941B-R/L
PRODUCT NAME
**DESIGNER
GELCOAT
SPECIAL CARE**