

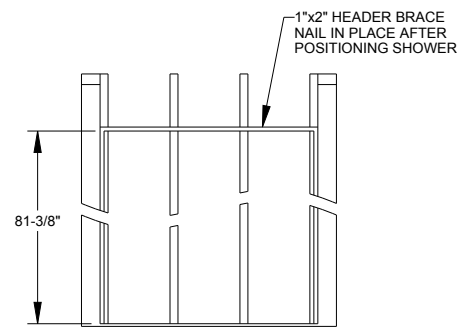
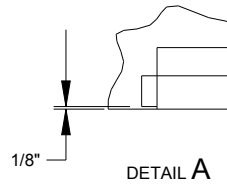
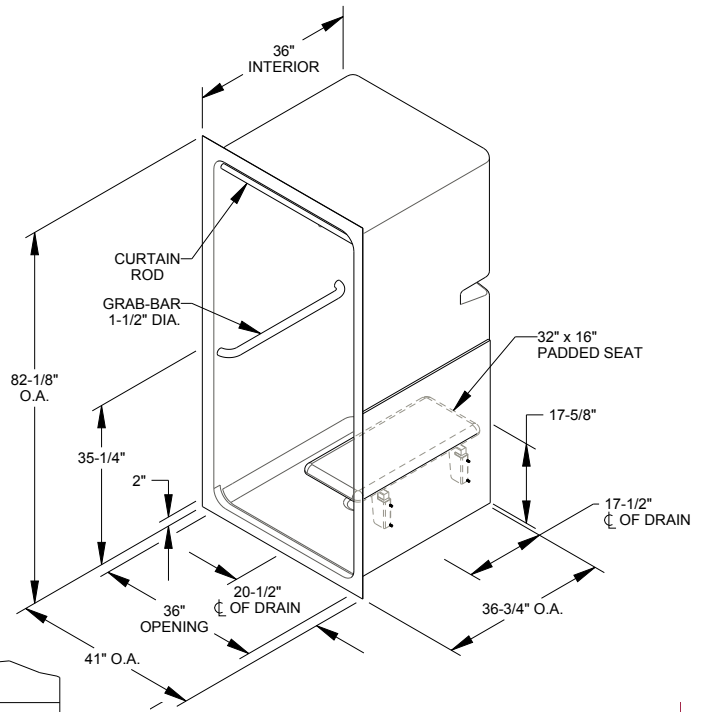


6M4137EL

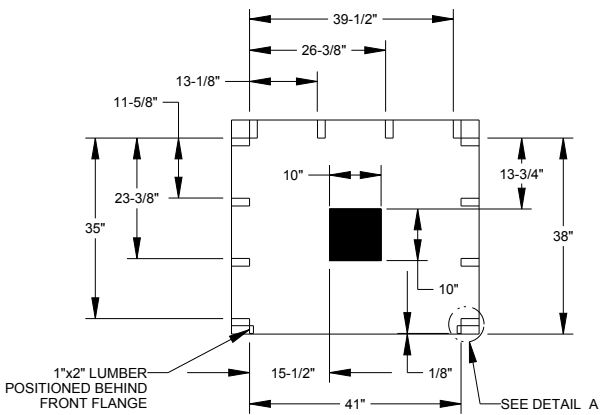
41" x 36 3/4" x 82 1/8"

2" Threshold

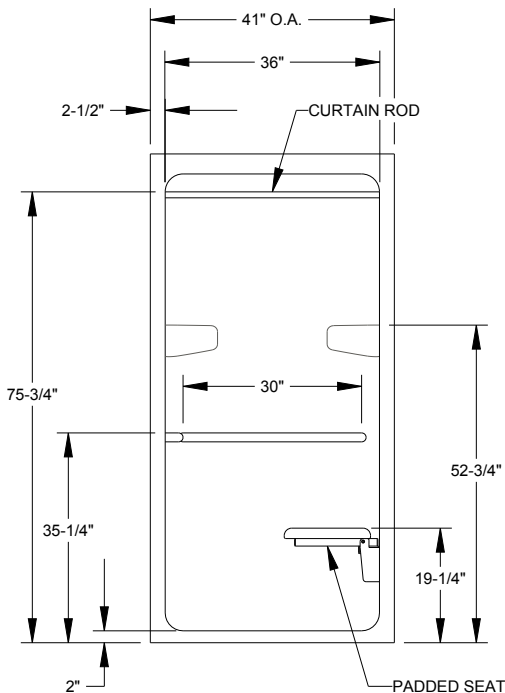
- MA 521 CMR Compliant
- Textured bottom
- 1 - 30" Horizontal bar on left wall
- 1 - 30" Horizontal bar on back wall
- Padded fold-down seat on right side wall
- Right or left indicates bar location
- Chrome curtain rod
- Antimicrobial green curtain



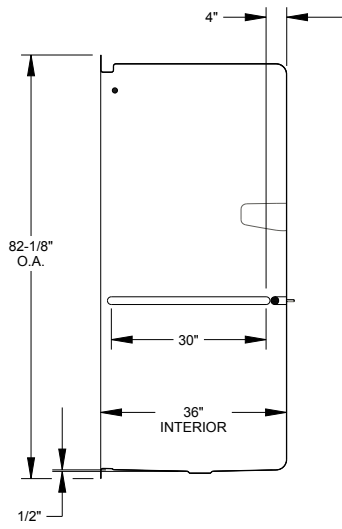
DRAIN CUTAWAY & STUD PLACEMENT FRONT VIEW



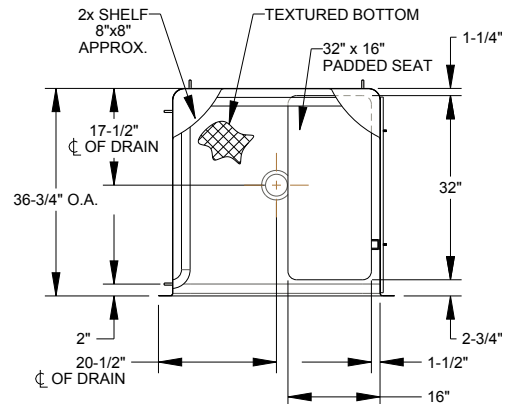
DRAIN CUTAWAY & STUD PLACEMENT TOP VIEW



FRONT VIEW



SIDE VIEW



TOP VIEW