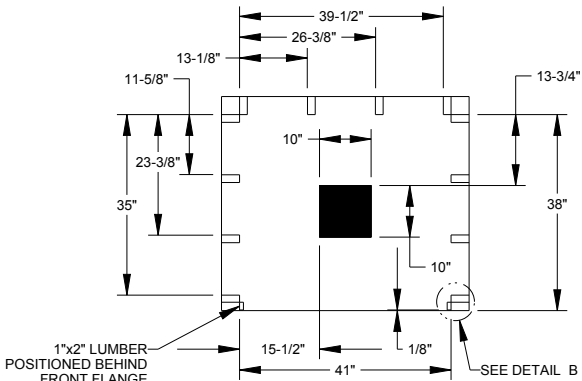
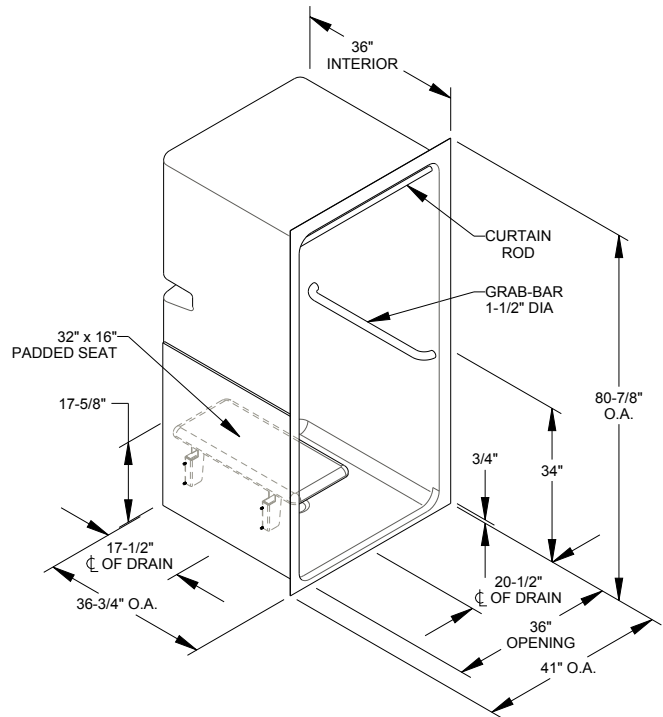


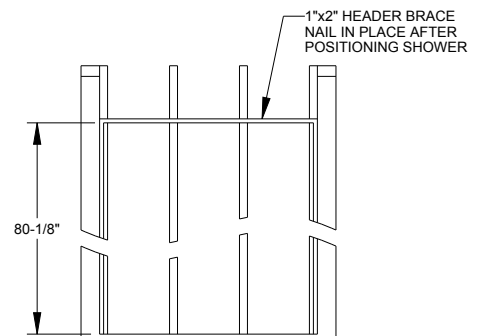
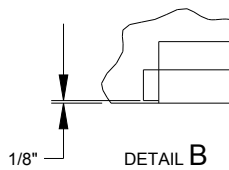


6M4137DR
41" x 36 3/4" x 80 7/8"

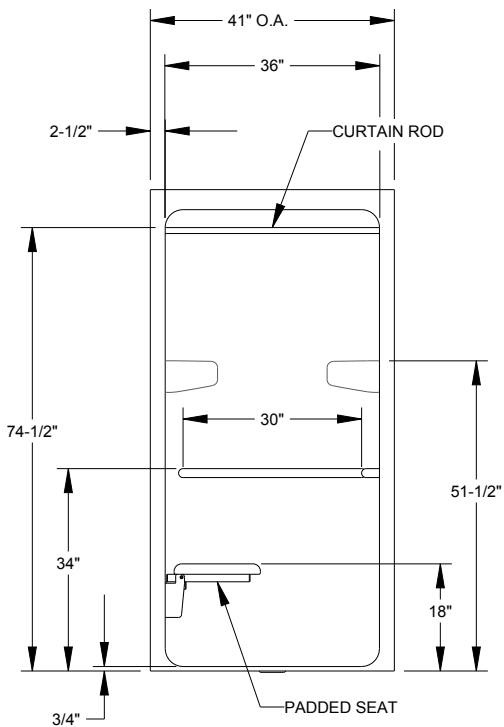
- 3/4" Threshold**
- MA 521 CMR Compliant
 - Textured bottom
 - 1 - 30" Horizontal bar on right wall
 - 1 - 30" Horizontal bar on back wall
 - Padded fold-down seat on left side wall
 - Right or left indicates bar location
 - Chrome curtain rod
 - Antimicrobial green curtain



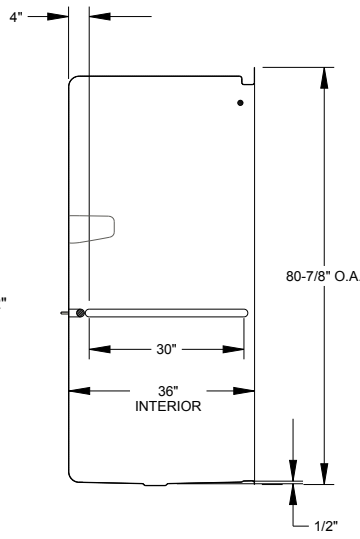
DRAIN CUTAWAY & STUD PLACEMENT TOP VIEW



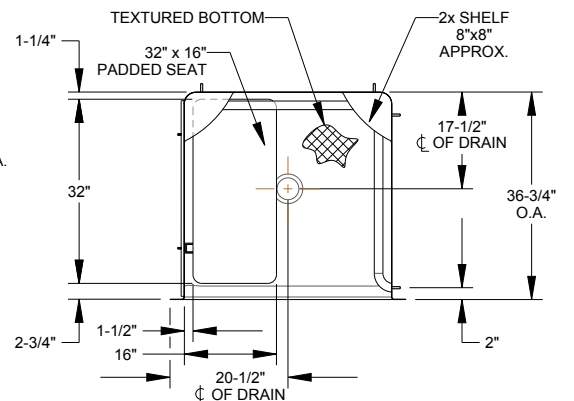
DRAIN CUTAWAY & STUD PLACEMENT FRONT VIEW



FRONT VIEW



SIDE VIEW



TOP VIEW