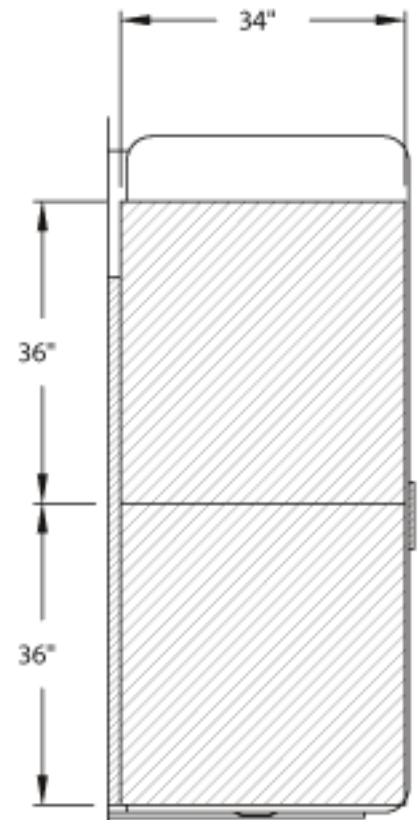
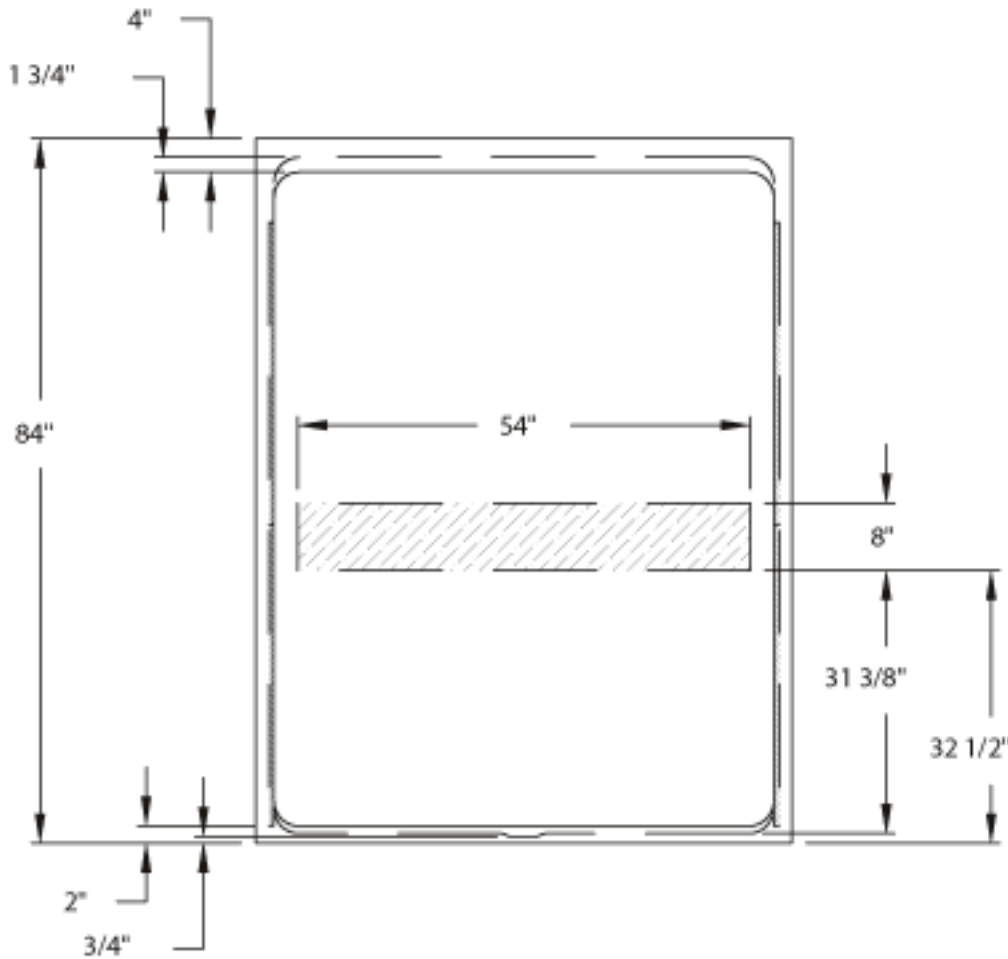
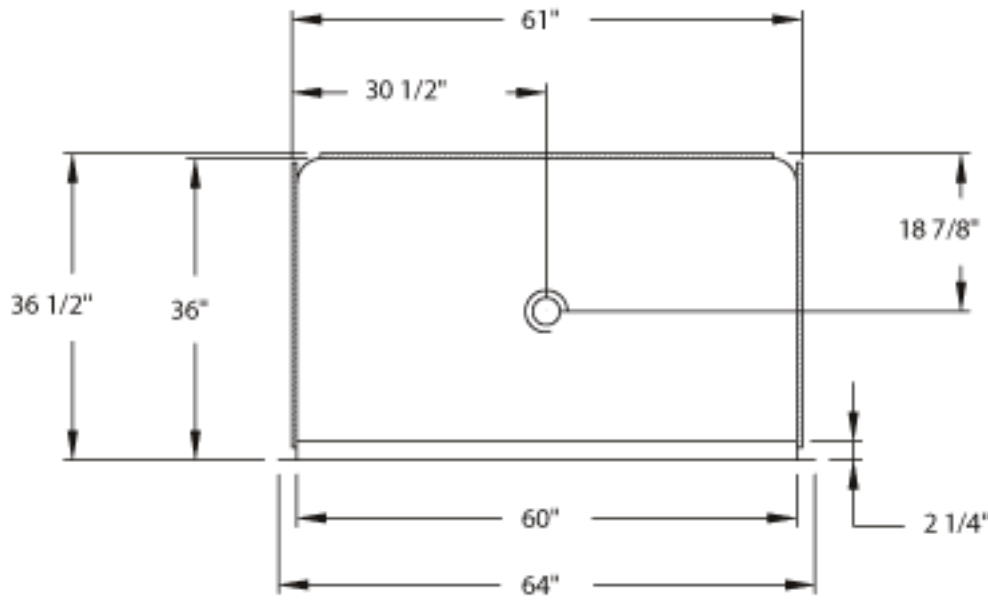


INFORMATION IN THIS DRAWING IS SUBJECT TO CHANGE WITHOUT NOTICE. NO PART OF THIS DRAWING MAY BE REPRODUCED OR TRANSMITTED IN ANY FORM OR BY ANY MEANS, ELECTRONIC OR MECHANICAL, FOR ANY PURPOSE WITHOUT THE WRITTEN PERMISSION OF AQUA GLASS CORPORATION.



SIDE VIEW

TOLERANCE:

±1/4

REV:

E

ECO. NO.:

3132

ECO. DATE:

6/11/10

AQUA GLASS®

320 INDUSTRIAL PARK RD.
ADAMSVILLE, TN 38310

PRODUCT NO.:

686437AC

PRODUCT NAME:

**HUD
ACRYLIC
SHOWER**

GENERAL NOTES:

MEETS REQUIREMENTS OF THE FEDERAL ACCESSIBILITY STANDARDS, UNIT HAS BOARDS MOUNTED FOR BAR INSTALLATION IN THE FIELD.