



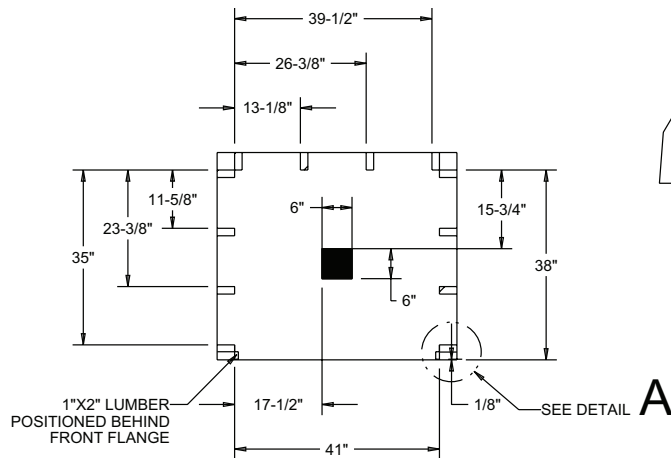
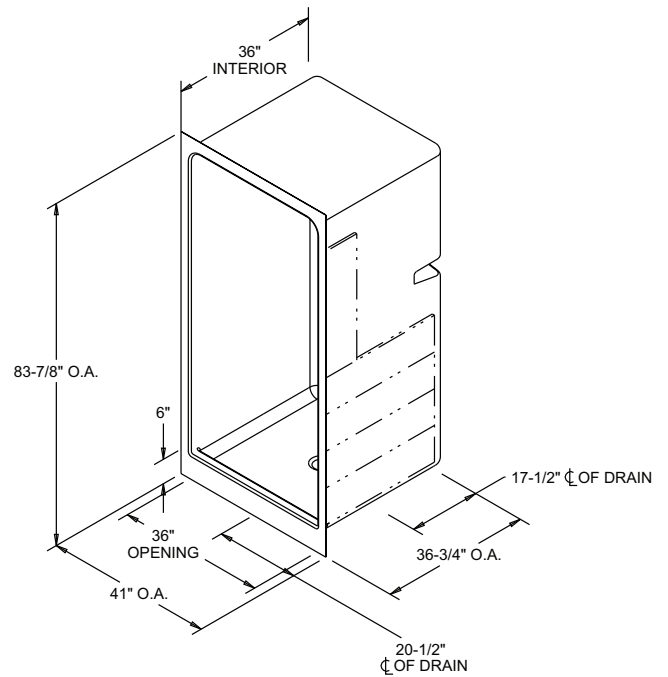
IAPMO/ANSI Z124.1.2-2005

## 684137CC

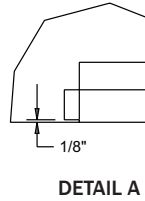
41" x 36 3/4" x 83 7/8"

### 6" Threshold

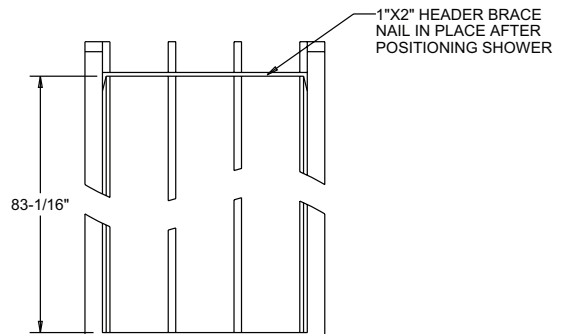
- HUD adaptable
- Textured bottom
- Structural reinforcements for future grab bar and seat installation
- 2 shelves



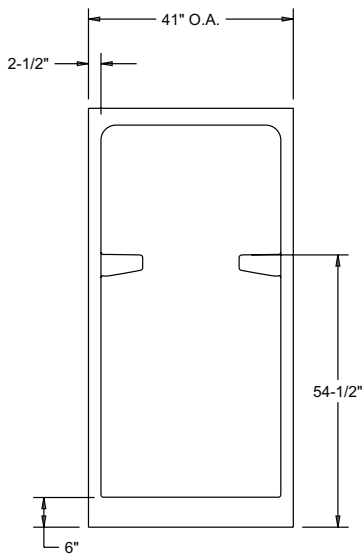
**DRAIN CUTAWAY & STUD PLACEMENT TOP VIEW**



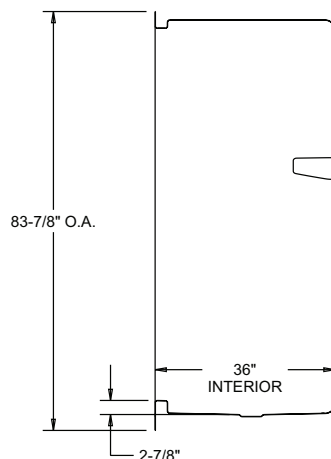
**DETAIL A**



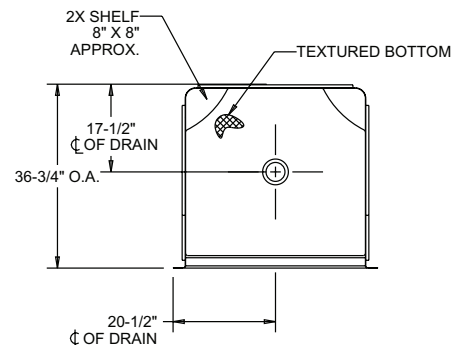
**DRAIN CUTAWAY & STUD PLACEMENT FRONT VIEW**



**FRONT VIEW**



**SIDE VIEW**



**TOP VIEW**