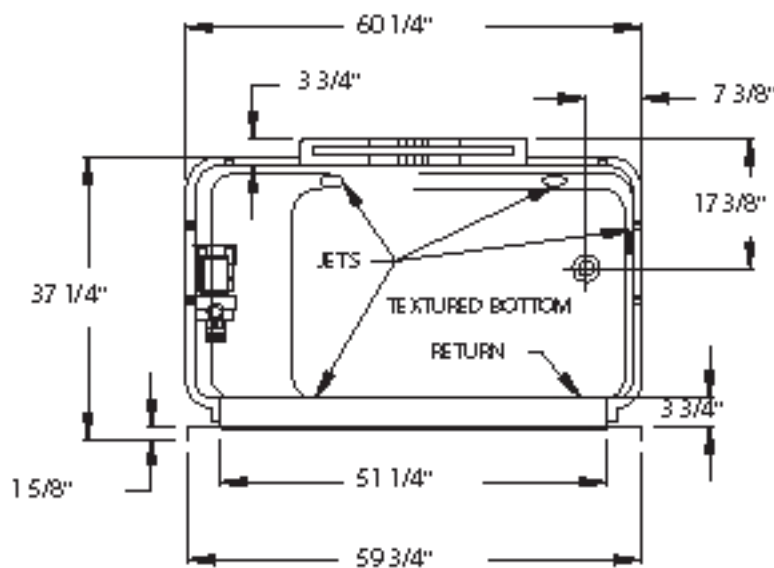
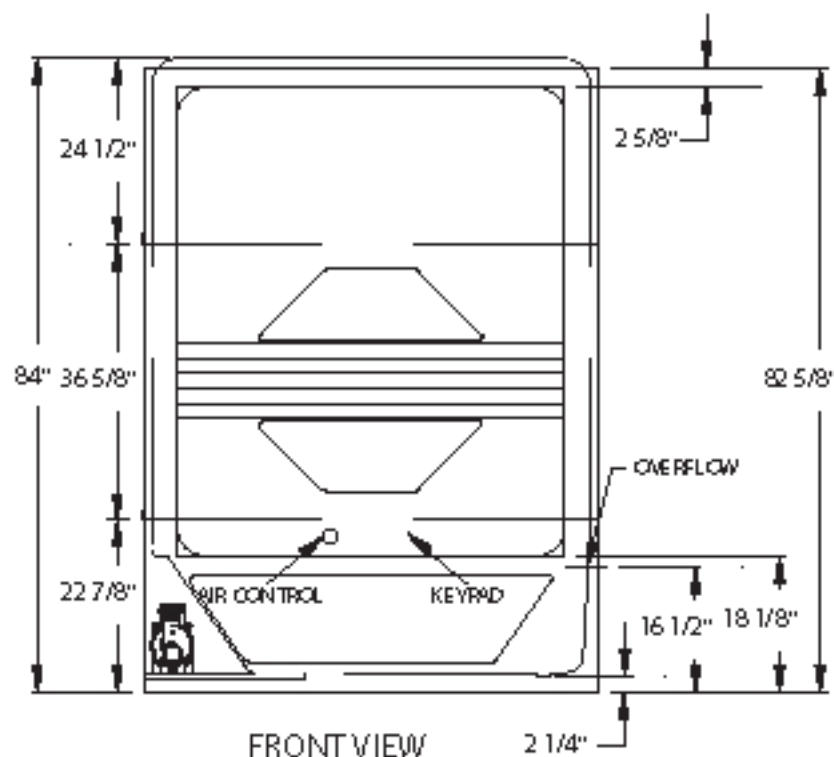


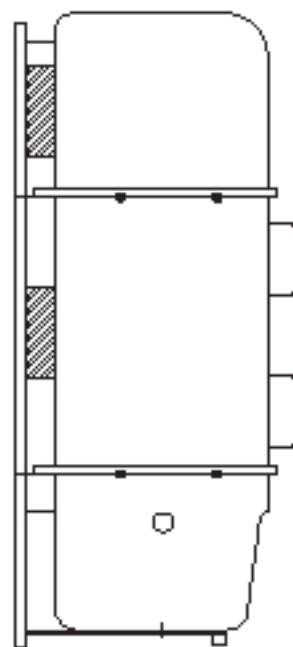
INFORMATION IN THIS DRAWING IS SUBJECT TO CHANGE WITHOUT NOTICE. NO PART OF THIS DRAWING SHALL BE REPRODUCED OR TRANSMITTED IN ANY FORM OR BY ANY MEANS, ELECTRONIC OR MECHANICAL, FOR ANY PURPOSES WITHOUT THE WRITTEN PERMISSION OF A.O.G. GLASS CORPORATION.



TOP VIEW



FRONT VIEW



SIDE VIEW

TOLERANCE: ±1/4	GAL. TO OVERFLOW: 0	GENERAL NOTES		PRODUCTOR PART NO.: 666038B-R/L
REV: D	OPERATING CAPACITY: 0	BATHING WELL DIM. TOP 55 1/2" X 27 3/8" BOTTOM 42 1/2" X 19 7/8"		PRODUCT NAME
ECO NO.: 3132	DRAWN BY: JAJ 1-11-1-	SHOWER DOOR OPENING 51 1/4" X 61 7/8"		ACRYLIC MULTI-PIECE WHIRLPOOL
ECO DATE: 6/11/10	FIN. INTERIOR: XX in. ±		320 INDUSTRIAL PARK RD. ADAMSVILLE, TN 38310	