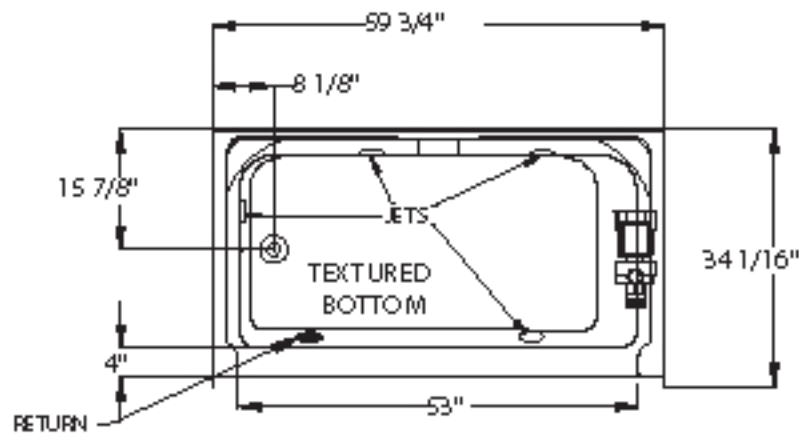
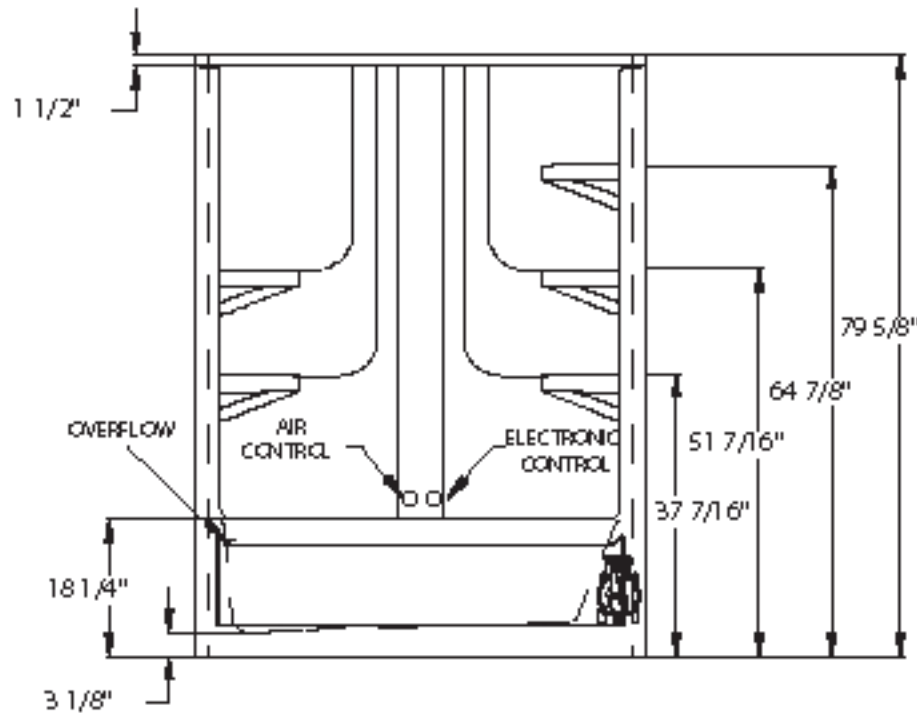


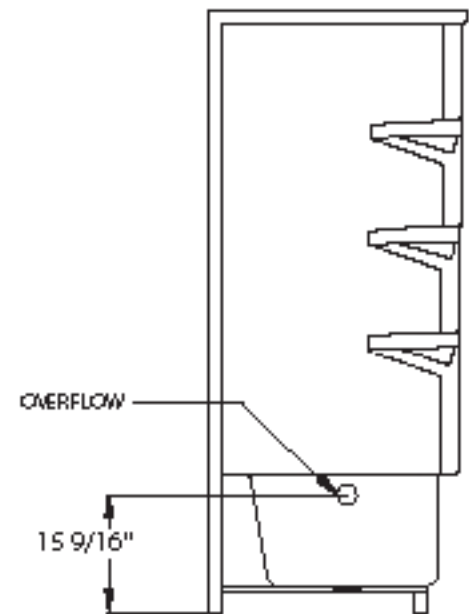
INFORMATION IN THIS DRAWING IS SUBJECT TO CHANGE WITHOUT NOTICE. NO PART OF THIS DRAWING MAY BE REPRODUCED OR TRANSMITTED IN ANY FORM OR BY ANY MEANS, ELECTRONIC OR MECHANICAL, FOR ANY PURPOSE WITHOUT THE WRITTEN PERMISSION OF AQUA GLASS CORPORATION.



TOP VIEW



FRONT VIEW



SIDE VIEW

TOLERANCE:  
±.14

GAL. TO  
OVERFLOW:

GENERAL NOTES

BATHING WELL DIMS:  
TOP 51 15/16" X 24 13/16"  
BOTTOM 46" X 24 13/16"  
SHOWER DOOR OPENING  
53" X 59 3/4"

**AQUA GLASS**®

PRODUCT OR PART NO.:

666036E-R/L

REV:  
D

OPERATING  
CAPACITY:

NAILING FLANGES ARE  
ATTACHED WITH GLUE

320 INDUSTRIAL PARK RD.  
ADAMSVILLE, TN 38310

PRODUCT NAME  
DOMELESS  
ACRYLIC  
TUB SHOWER

ECO NO.:

DRAWN BY:  
J.A. JOHNSON

ECO DATE:  
6/9/10

FIN. INTERIOR:  
XX in \*