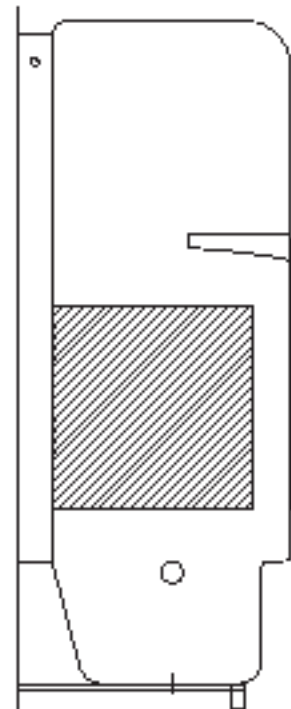
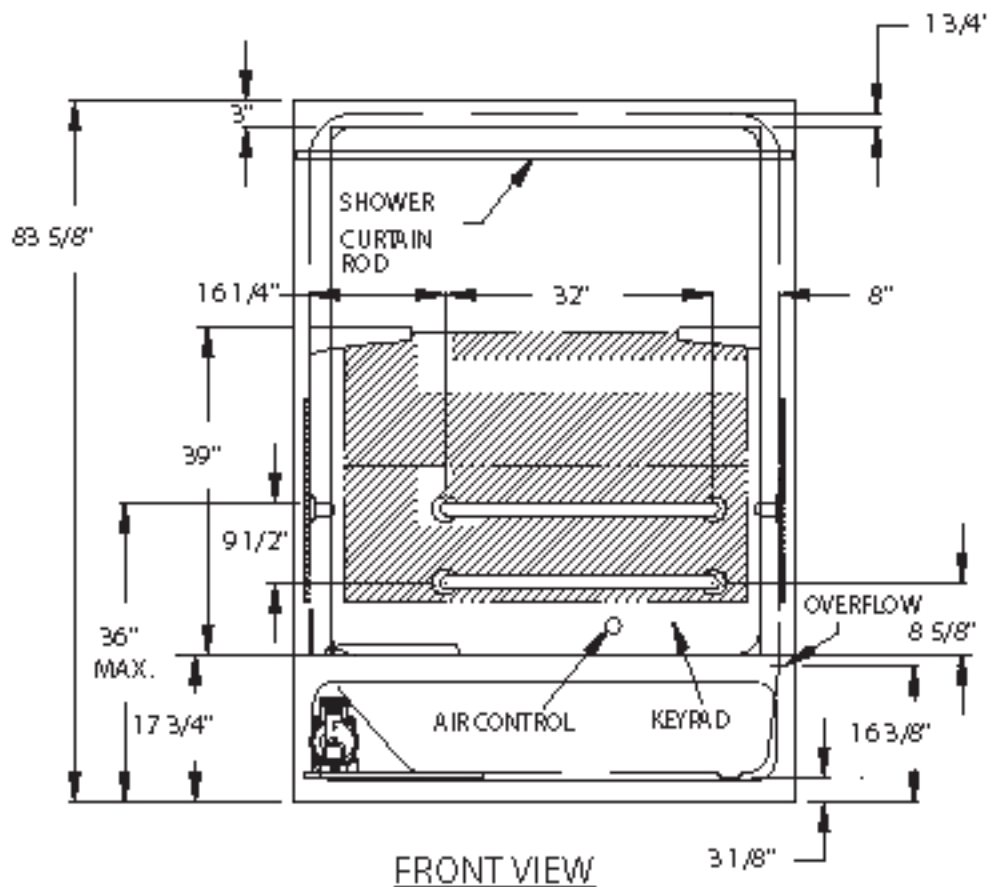
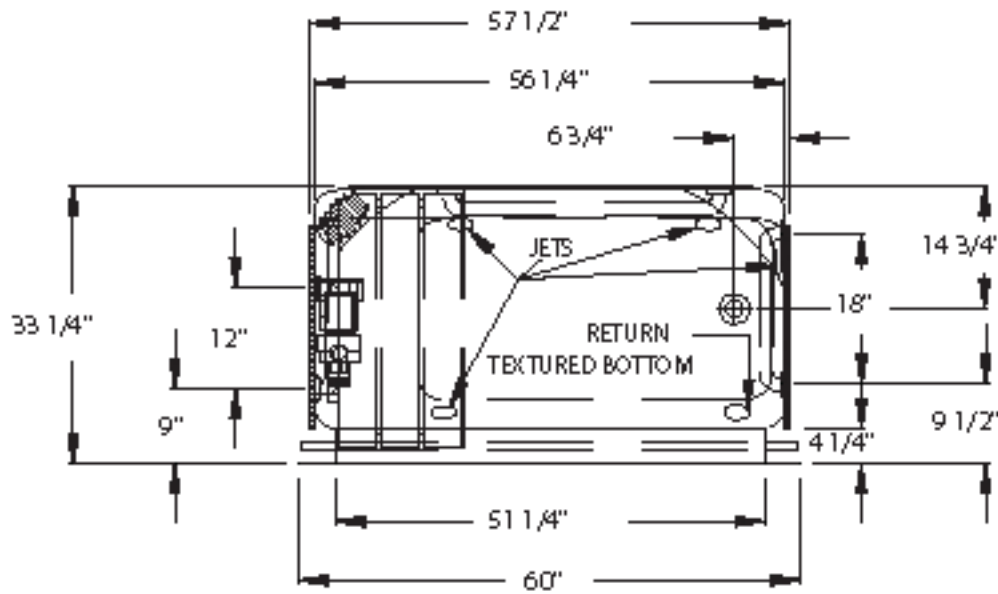


INFORMATION IN THIS DRAWING IS SUBJECT TO CHANGE WITHOUT NOTICE. NO PART OF THIS DRAWING MAY BE REPRODUCED OR TRANSMITTED IN ANY FORM OR BY ANY MEANS, ELECTRONIC OR MECHANICAL, FOR ANY PURPOSE WITHOUT THE WRITTEN PERMISSION OF AQUA GLASS CORPORATION.



TOLERANCE: ±1/4	 320 INDUSTRIAL PARK RD. ADAMSVILLE, TN 38310	PRODUCT NO.: 666034F-R/L	GENERAL NOTES:
REV.: C		PRODUCT NAME: ACRYLIC SPECIAL CARE	BATHING WELL DIM. TOP 55 7/8" X 27"
ECO. NO.: 3132			BOTTOM 42 1/8" X 19 5/8"
ECO. DATE: 6/11/10			