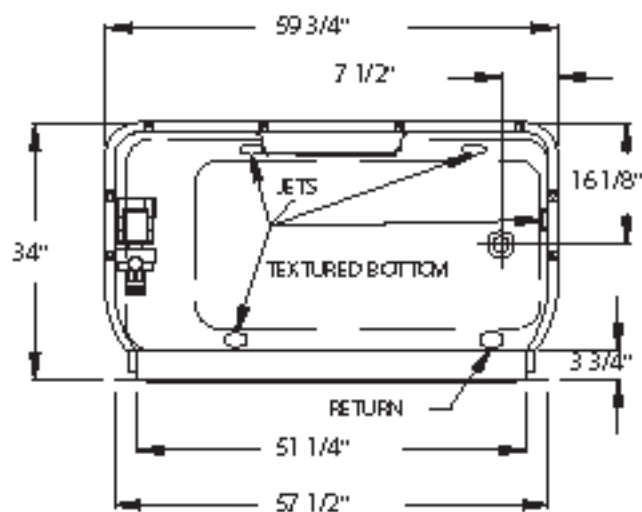
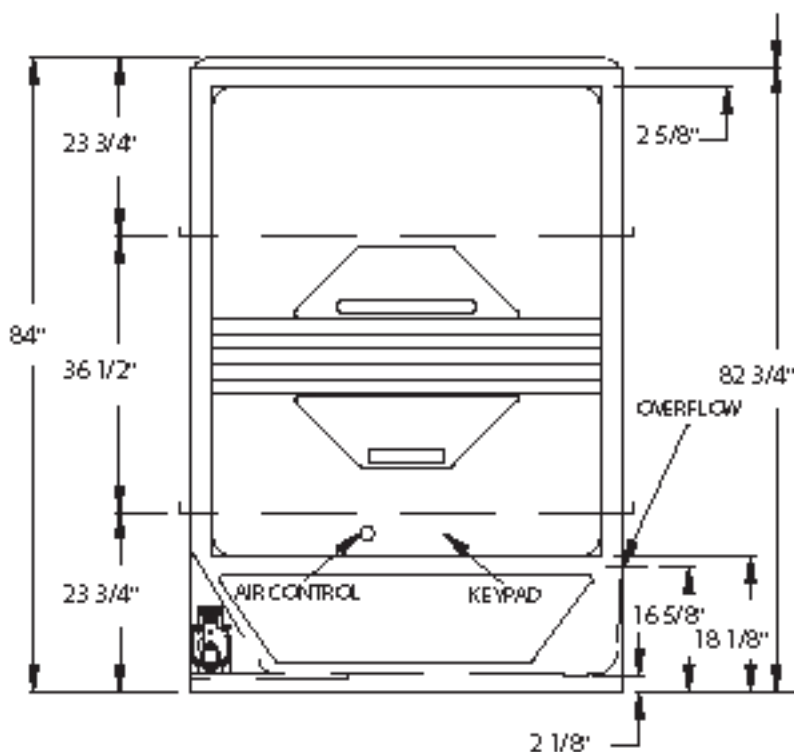


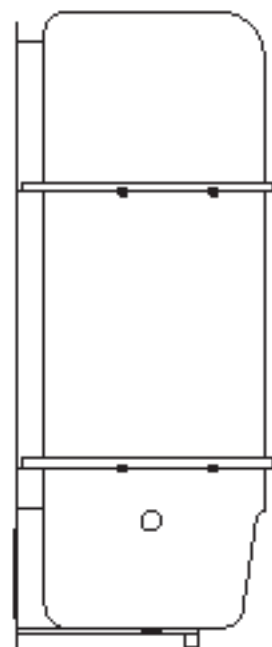
INFORMATION IN THIS DRAWING IS SUBJECT TO CHANGE WITHOUT NOTICE. NO PART OF THIS DRAWING MAY BE REPRODUCED OR TRANSMITTED IN ANY FORM OR BY ANY MEANS, ELECTRONIC OR MECHANICAL, FOR ANY PURPOSES WITHOUT THE WRITTEN PERMISSION OF A.O. SMITH CORPORATION.



TOP VIEW



FRONT VIEW



SIDE VIEW

TOLERANCE: ±1/4"	GAL. TO OVERFLOW: 0	GENERAL NOTES
REV: D	OPERATING CAPACITY: 0	BATHINGWELL DM. TOP 55 1/2" X 27 3/8" BOTTOM 42" X 19"
ECO NO.: 3132	DRAWN BY: JAU 1-11-10	SHOWER DOOR OPENING 51 1/4" X 6"
ECO DATE: 6/11/10	FIN. INTERIOR: XX in. ²	

AQUA GLASS®
320 INDUSTRIAL PARK RD.
ADAMSVILLE, TN 38310

PRODUCT OR PART NO.: 665835A-R/L
PRODUCT NAME AC RYLK MULTI-PIECE WHIRLPOOL