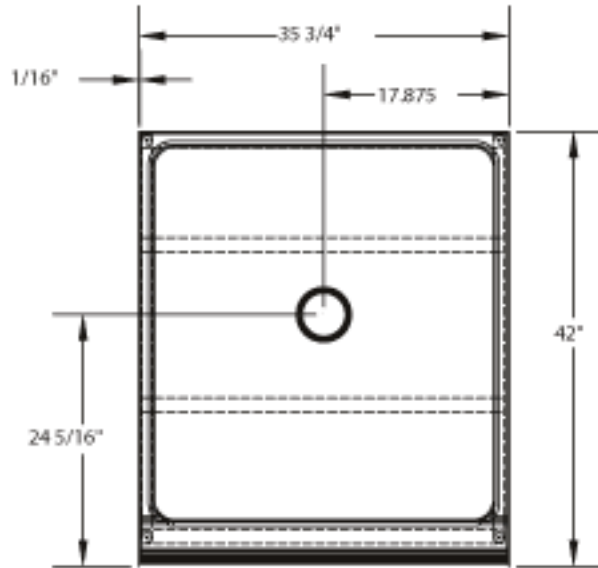


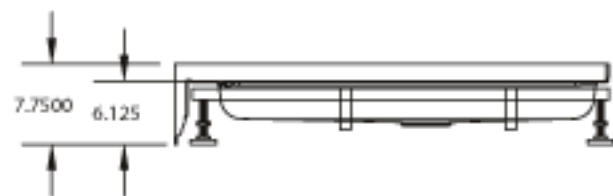
INFORMATION IN THIS DRAWING IS SUBJECT TO CHANGE WITHOUT NOTICE. NO PART OF THIS DRAWING MAY BE REPRODUCED OR TRANSMITTED IN ANY FORM OR BY ANY MEANS, ELECTRONIC OR MECHANICAL, FOR ANY PURPOSE WITHOUT THE WRITTEN PERMISSION OF AQUA GLASS CORPORATION.



TOP VIEW



FRONT VIEW



SIDE VIEW

TOLERANCE:
±1/4
REV:
A
SCO NO.:
3060
SCO DATE:
01-04-10

AQUA GLASS®

320 INDUSTRIAL PARK RD.
ADAMSVILLE, TN 38310

PRODUCT OR PART NO.:
653642AC
PRODUCT NAME
ACRYLIC SINGLE ENTRY BASE

DRAWN BY:
RYAN DENTON
DRAWING DATE:
JAJ 12-29-09

GENERAL NOTES
ADJUSTABLE LEVELING FEET
TEXTURED BOTTOM
2" ABF