

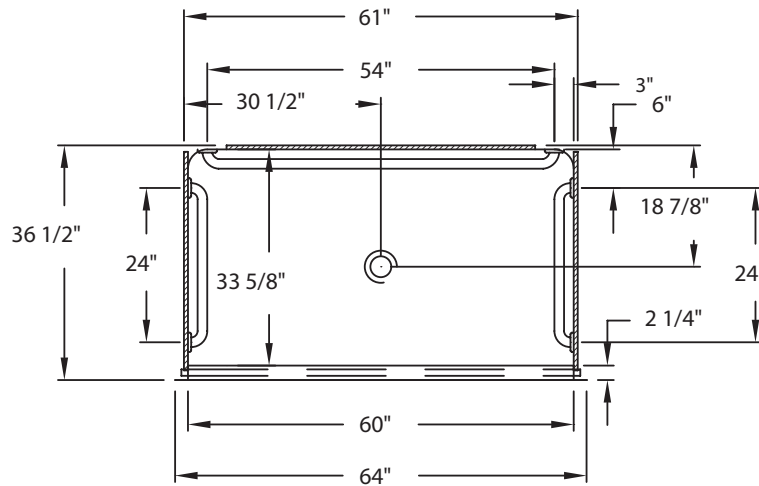


**636437CC**  
64" x 36 1/2" x 83 1/4"



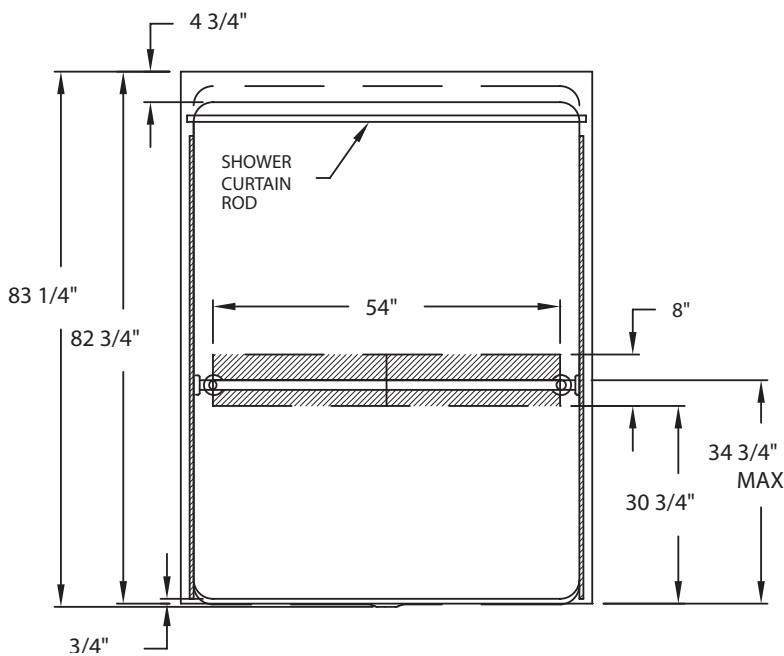
ICC/ANSI A117.1-2003  
IAPMO/ANSI Z124.1.2-2005  
ASTM F462-79 (2007)

- 3/4" Threshold**
- ADA compliant
  - Textured bottom
  - 1 - 54" Horizontal bar on back wall
  - 2 - 24" Horizontal bars on side walls
  - Chrome curtain rod
  - Antimicrobial green curtain

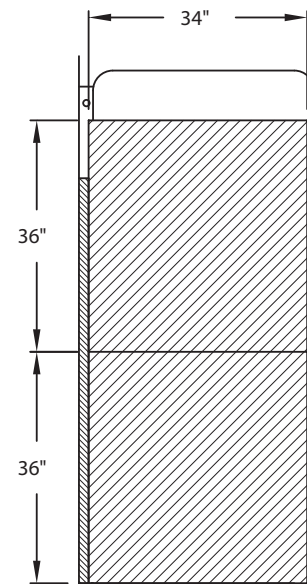


NOTE:  
GRAB BAR DIAMETER IS 1.5". SPACE  
BETWEEN GRAB BAR AND WALL IS 1.5".

TOP VIEW



FRONT VIEW



SIDE VIEW