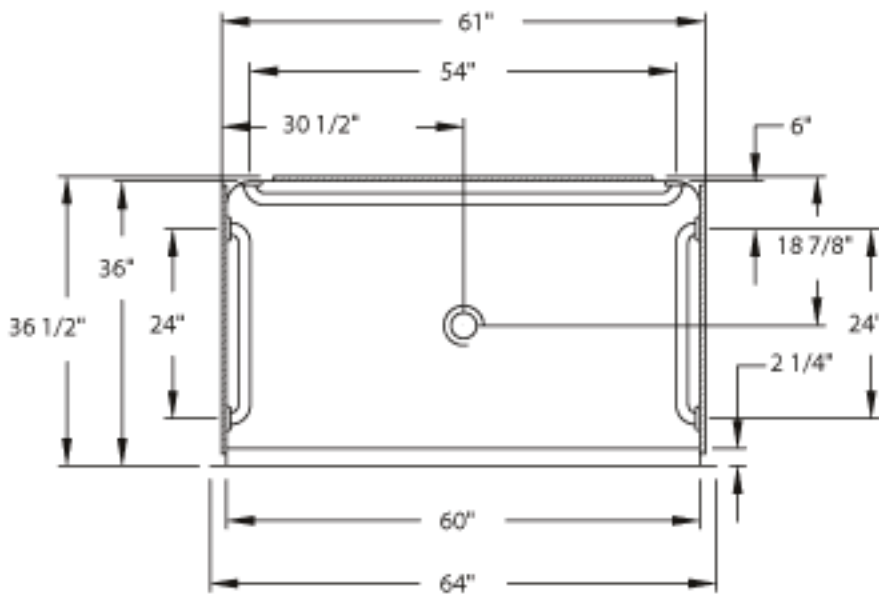
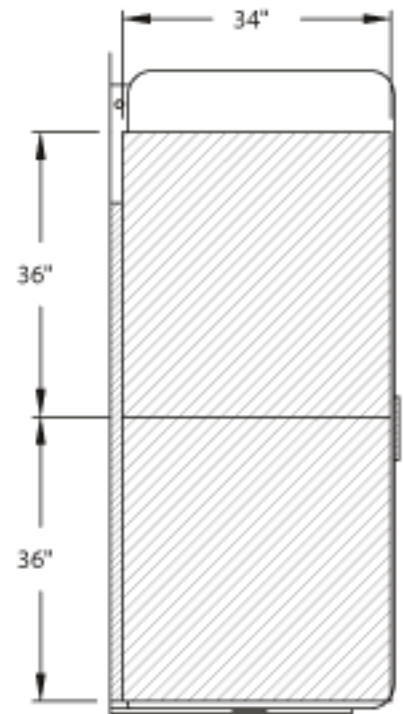
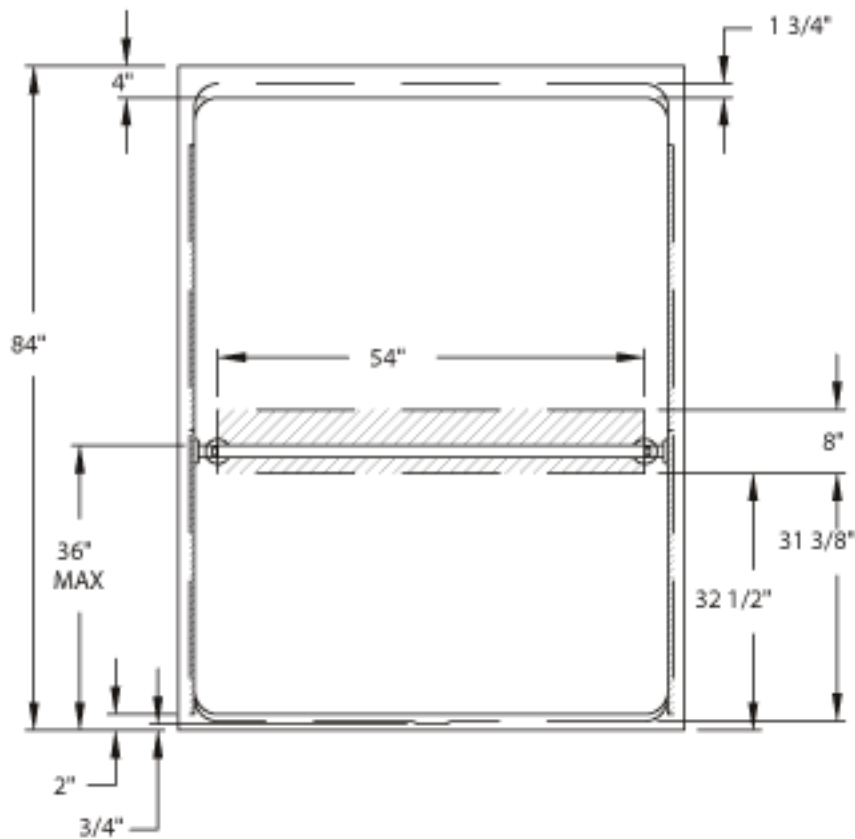


INFORMATION IN THIS DRAWING IS SUBJECT TO CHANGE WITHOUT NOTICE. NO PART OF THIS DRAWING MAY BE REPRODUCED OR TRANSMITTED IN ANY FORM OR BY ANY MEANS, ELECTRONIC OR MECHANICAL, FOR ANY PURPOSE WITHOUT THE WRITTEN PERMISSION OF AQUA GLASS CORPORATION.



TOP VIEW



SIDE VIEW

TOLERANCE: ±1/4	GAL. TO OVERFLOW: 0	GENERAL NOTES	<h1>AQUA GLASS®</h1> <p>320 INDUSTRIAL PARK RD. ADAMSVILLE, TN 38310</p>	PRODUCT OR PART NO.:
REV: F	OPERATING CAPACITY: 0			636437BC
ECO NO.:	DRAWN BY:			PRODUCT NAME
3132	JAJ LPO022833.00			ACRYLIC SPECIAL CARE
ECO DATE: 6/11/10	FIN. INTERIOR: XX in ²			