

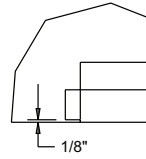
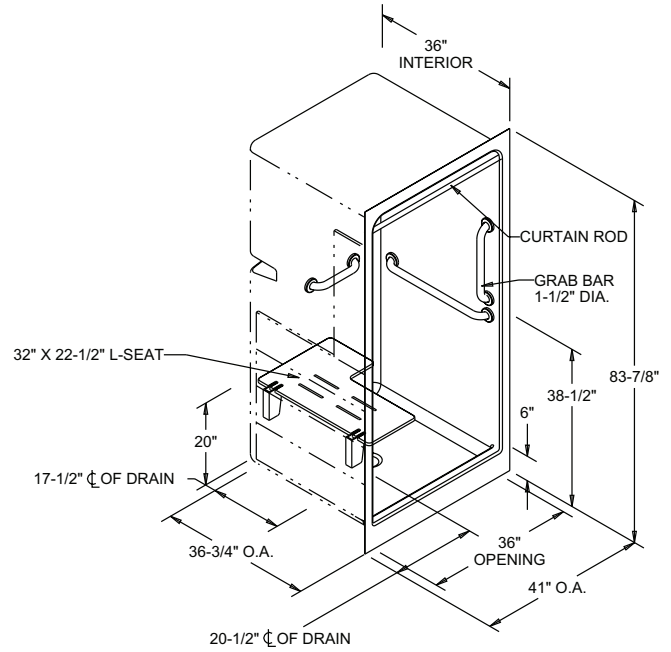


634137FR
41" x 36 3/4" x 83 7/8"

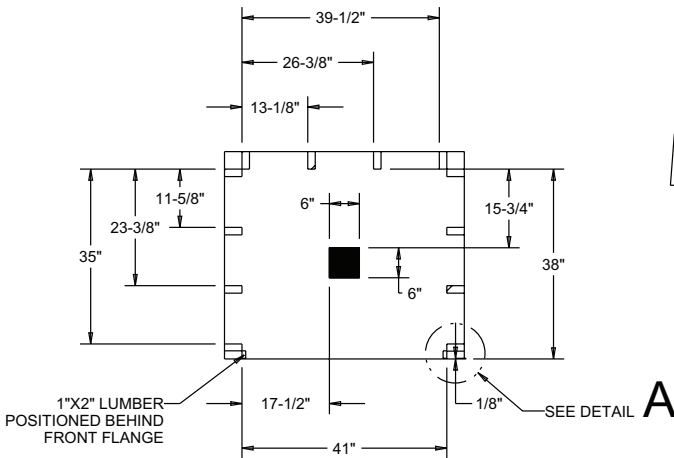


IAPMO/ANSI Z124.1.2-2005
ASTM F446-85 (2009)

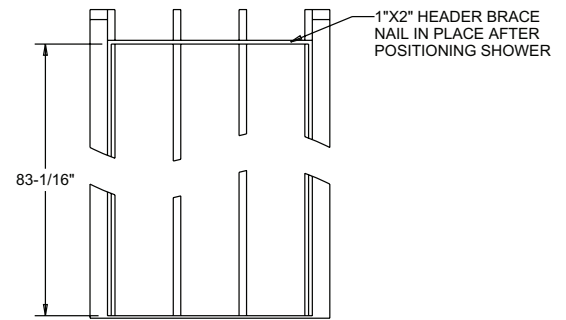
- 6" Threshold**
- Textured bottom
 - 1 - 12" Horizontal bar on back wall
 - 1 - 18" Vertical bar on side wall
 - 1 - 27" Horizontal bar on side wall
 - 2 shelves
 - Fold down wood grain seat
 - Chrome curtain rod
 - Antimicrobial green curtain



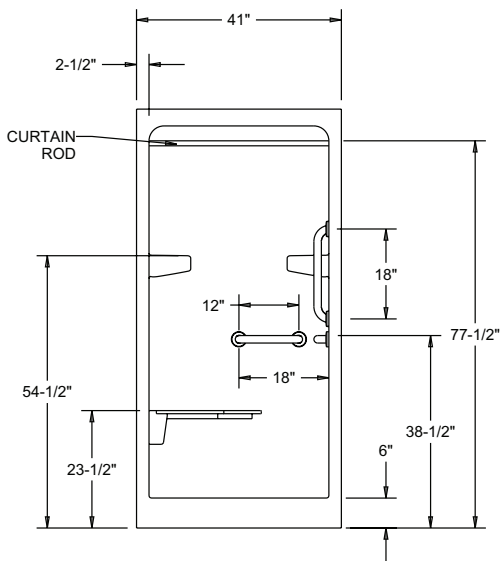
DETAIL A



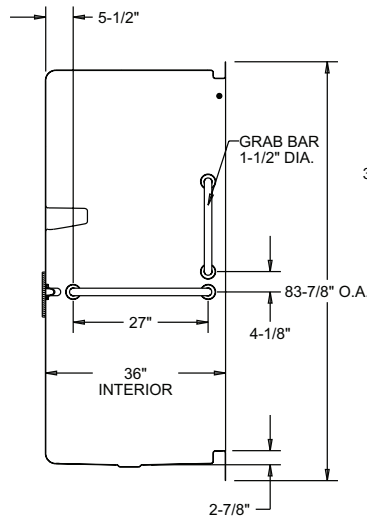
DRAIN CUTAWAY & STUD PLACEMENT
TOP VIEW



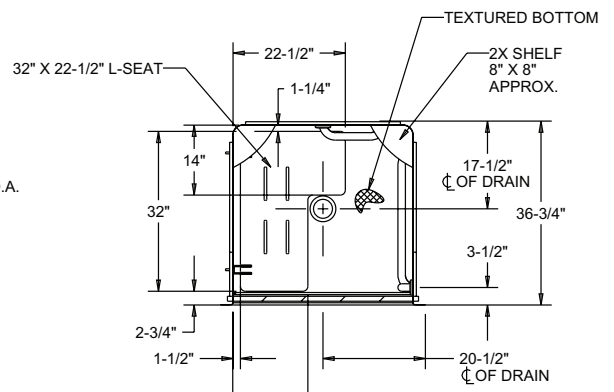
DRAIN CUTAWAY & STUD PLACEMENT
FRONT VIEW



FRONT VIEW



SIDE VIEW



TOP VIEW