

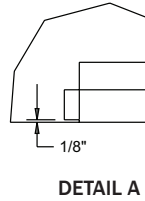
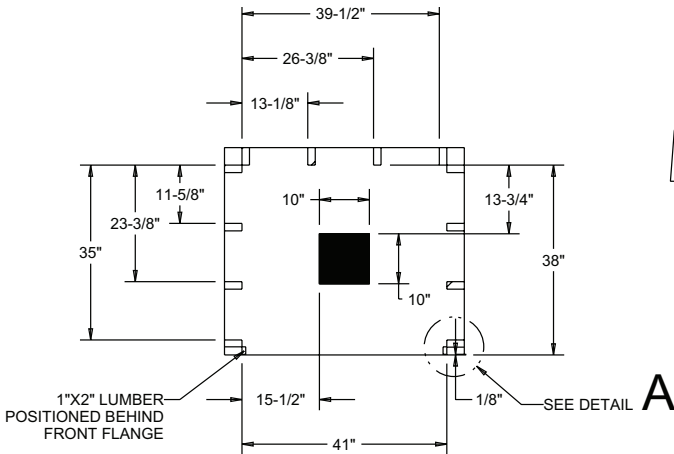
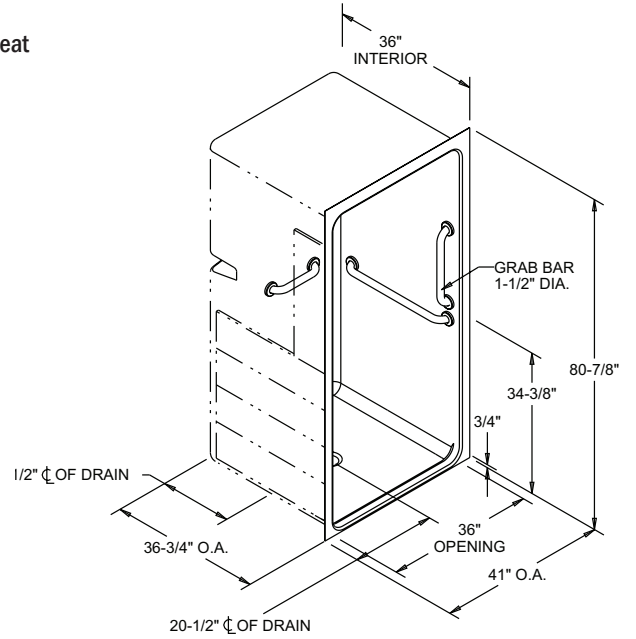


634137AR
41" x 36 3/4" x 80 7/8"

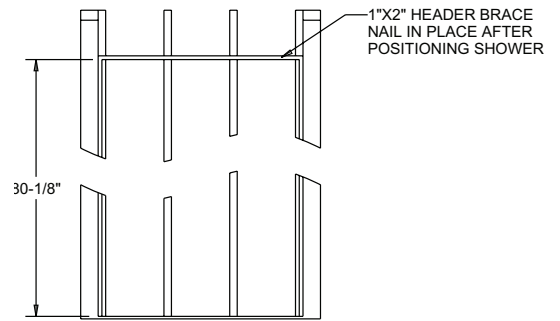


ICC/ANSI A117.1-2003
IAPMO/ANSI Z124.1.2-2005

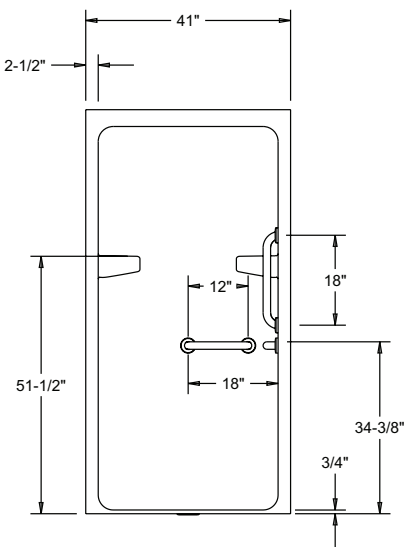
- 3/4" Threshold**
- ADA compliant when installed with seat
 - Textured bottom
 - 1 - 12" Horizontal bar on back wall
 - 1 - 18" Vertical bar on side wall
 - 1 - 27" Horizontal bar on side wall
 - 2 shelves



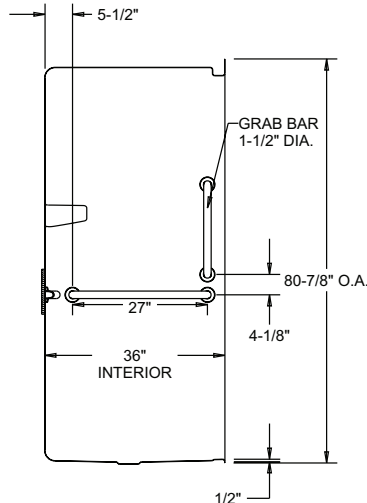
DRAIN CUTAWAY & STUD PLACEMENT TOP VIEW



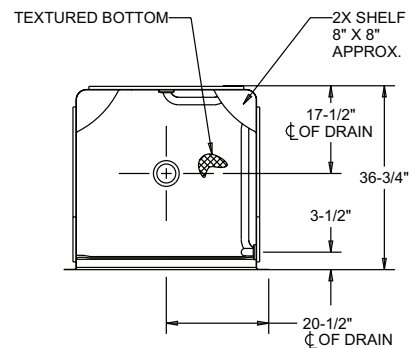
DRAIN CUTAWAY & STUD PLACEMENT FRONT VIEW



FRONT VIEW



SIDE VIEW



TOP VIEW