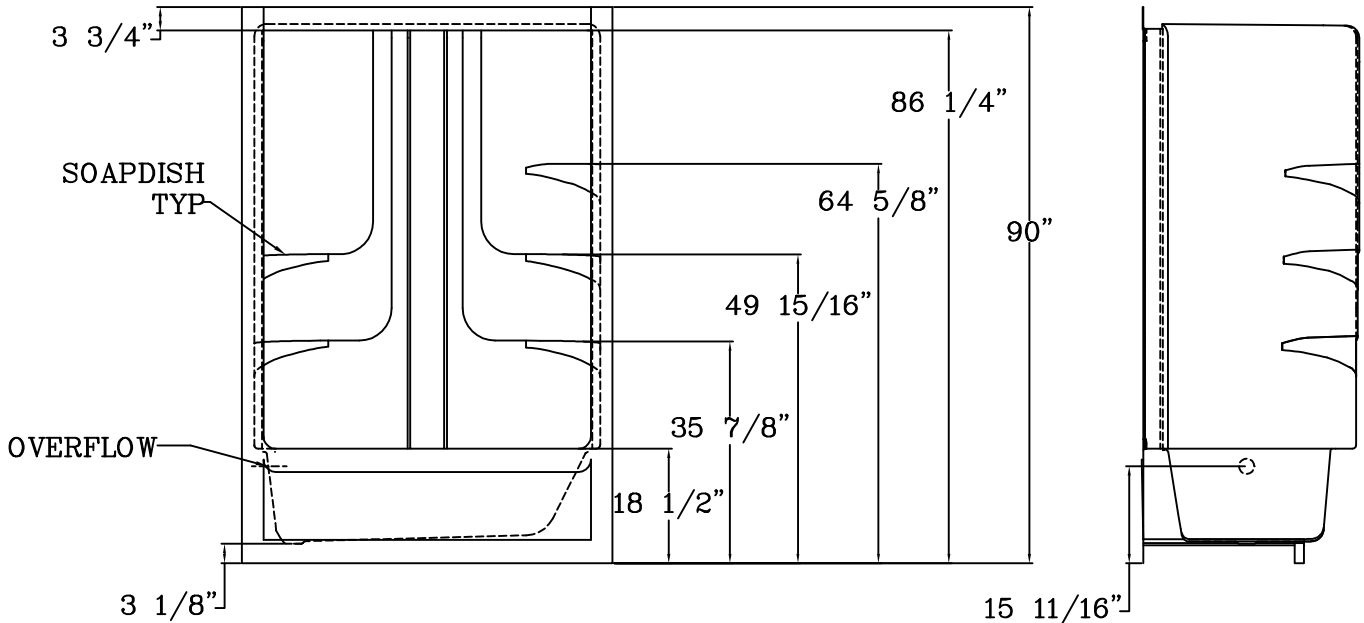
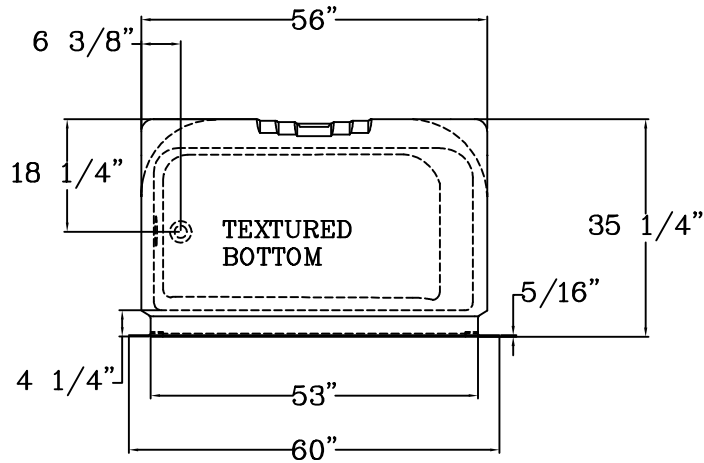


INFORMATION IN THIS DRAWING IS SUBJECT TO CHANGE WITHOUT NOTICE. NO PART OF THIS DRAWING MAY BE REPRODUCED OR TRANSMITTED IN ANY FORM OR BY ANY MEANS, ELECTRONIC OR MECHANICAL, FOR ANY PURPOSE WITHOUT THE WRITTEN PERMISSION OF AQUA GLASS CORPORATION.



TOLERANCE: ±1/4	GAL. TO OVERFLOW: 44.5	GENERAL NOTES  BATHING WELL DIM. TOP 51 1/2" X 26 5/8" BOTTOM 44" X 23"  SHOWER DOOR OPENING 53" X 68 1/2"	<b>AQUA GLASS</b> ®	PRODUCT OR PART NO.:
REV: B	OPERATING CAPACITY: 0			626036D-R/L
SCO NO.:	DRAWN BY:			PRODUCT NAME
SCO DATE:	FIN. INTERIOR:			ACRYLIC TUBSHOWER
2252	J.A. JOHNSON		320 INDUSTRIAL PARK RD. ADAMSVILLE, TN 38310	
10-15-07	15733.22 in²			