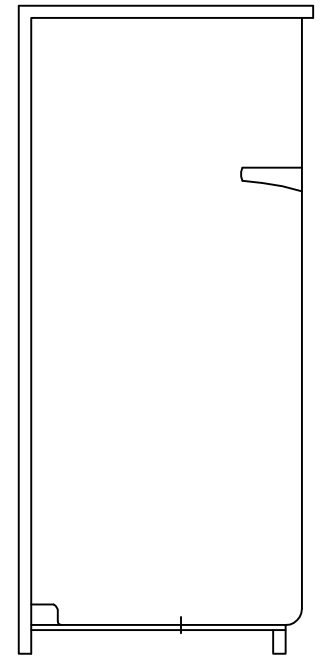
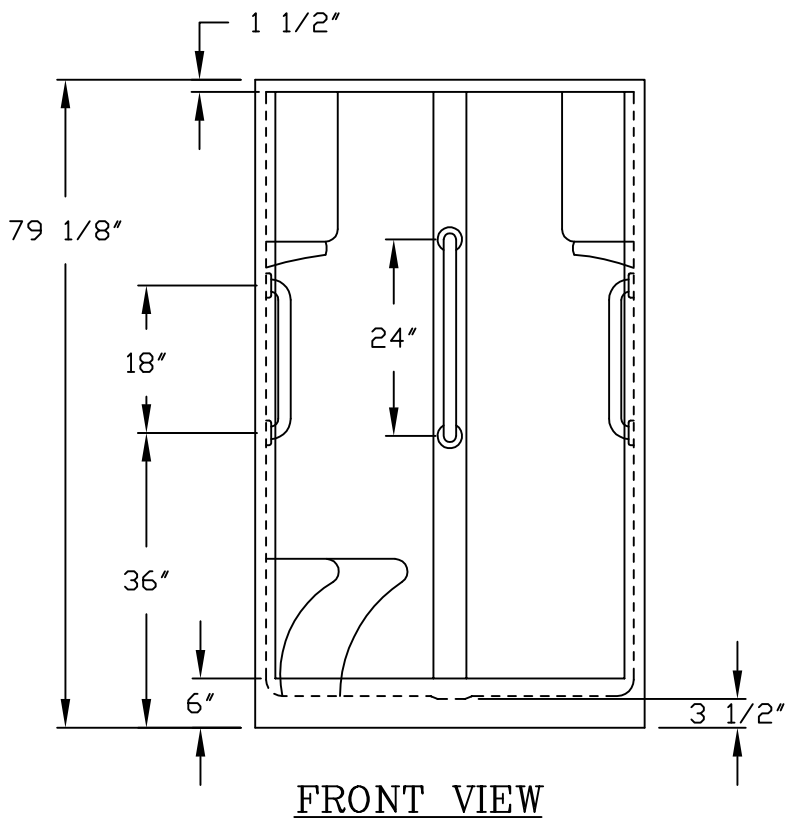
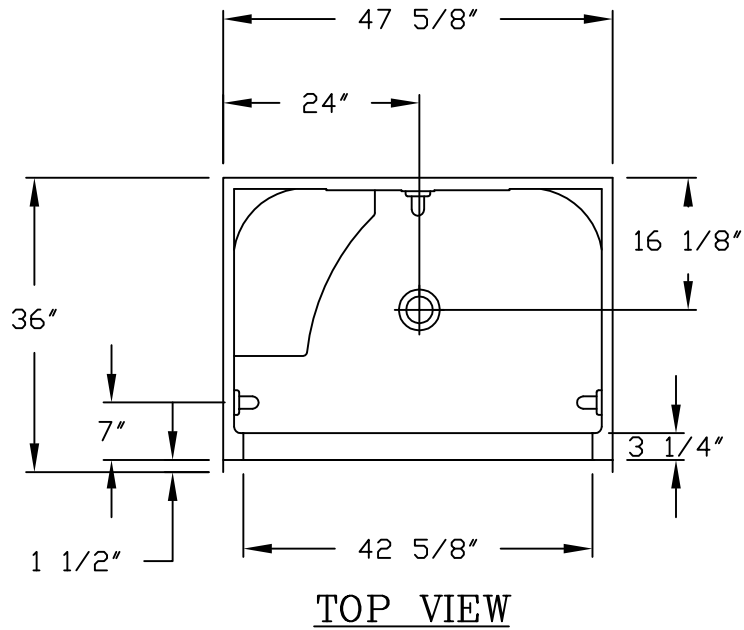


INFORMATION IN THIS DRAWING IS SUBJECT TO CHANGE WITHOUT NOTICE. NO PART OF THIS DRAWING MAY BE REPRODUCED OR TRANSMITTED IN ANY FORM OR BY ANY MEANS, ELECTRONIC OR MECHANICAL, FOR ANY PURPOSE WITHOUT THE WRITTEN PERMISSION OF AQUA GLASS CORPORATION.



TOLERANCE:
±1/4
REV.:
A
SCO. NO.:
984
SCO. DATE:
1/7/05

AQUA GLASS®
320 INDUSTRIAL PARK RD.
ADAMSVILLE, TN 38310

PRODUCT NO.:
614837G-R/L
PRODUCT NAME:
DOMELESS
ACRYLIC
OPTION 5

GENERAL NOTES:
SHOWER DOOR OPENING:
42 5/8" X 71 1/8"
NAILING FLANGES ARE
ATTACHED WITH GLUE