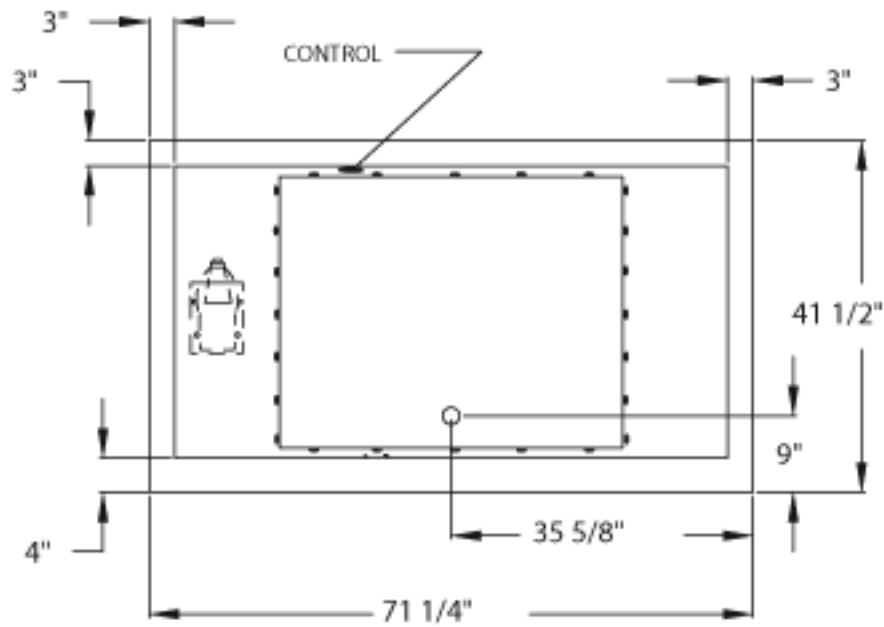
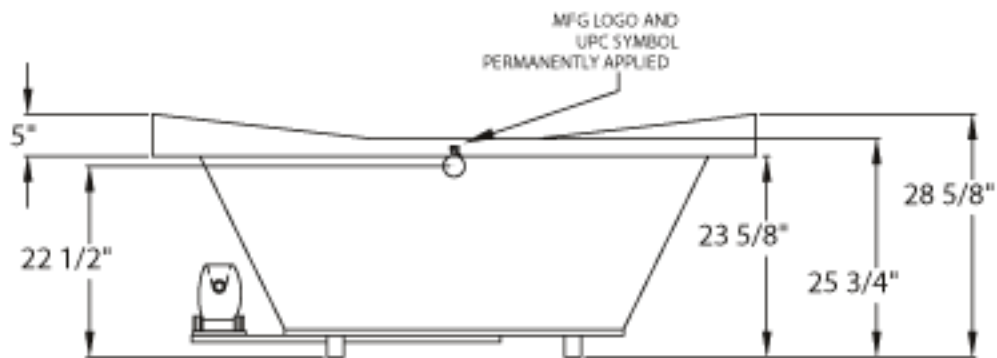


INFORMATION IN THIS DRAWING IS SUBJECT TO CHANGE WITHOUT NOTICE. NO PART OF THIS DRAWING MAY BE REPRODUCED OR TRANSMITTED IN ANY FORM OR BY ANY MEANS, ELECTRONIC OR MECHANICAL, FOR ANY PURPOSE WITHOUT THE WRITTEN PERMISSION OF AQUA GLASS CORPORATION.



TOP VIEW



FRONT VIEW

TOLERANCE: ±1/4	GAL. TO OVERFLOW:	GENERAL NOTES BATHING WELL DIM. TOP 24 3/4" X 64 3/4" BOTTOM 41 3/4" X 30 3/4" MOTORBOARD SHALL NOT EXTEND PAST FLANGE AIR JETS ARE REPRESENTATION ONLY.	 320 INDUSTRIAL PARK RD. ADAMSVILLE, TN 38310	PRODUCT OR PART NO.: 607242IC
REV: A	OPERATING CAPACITY:			PRODUCT NAME
ECO NO.: 3132	DRAWN BY: SSW			ACRYLIC AIR TUB
ECO DATE: 7/29/10	FIN. INTERIOR:			