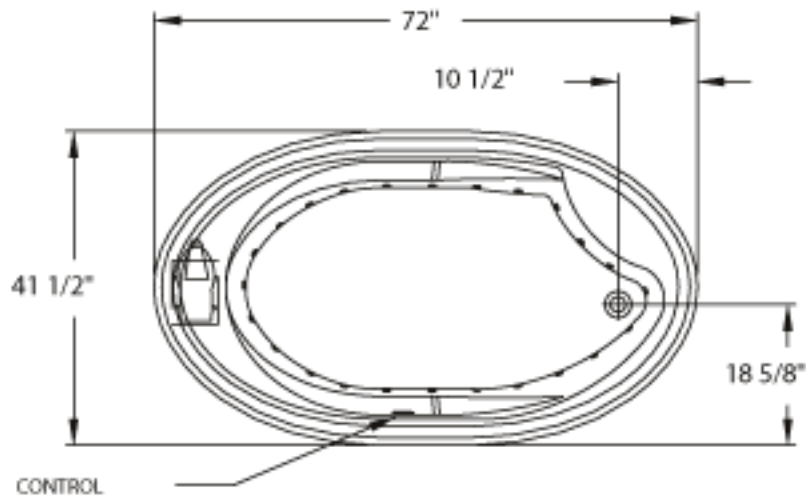
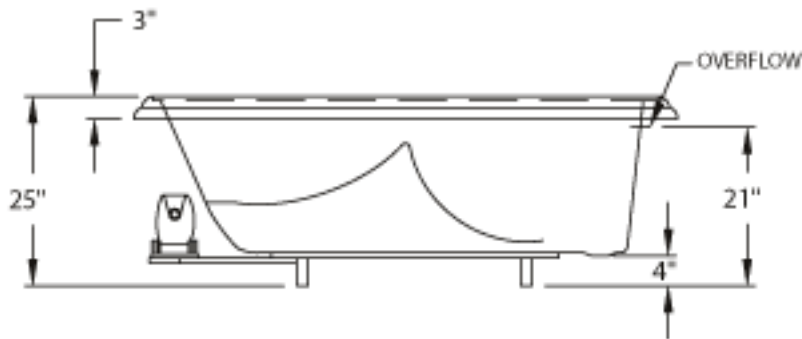


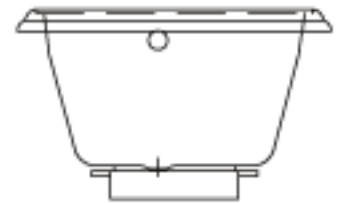
INFORMATION IN THIS DRAWING IS SUBJECT TO CHANGE WITHOUT NOTICE. NO PART OF THIS DRAWING MAY BE REPRODUCED OR TRANSMITTED IN ANY FORM OR BY ANY MEANS, ELECTRONIC OR MECHANICAL, FOR ANY PURPOSE WITHOUT THE WRITTEN PERMISSION OF AQUA GLASS CORPORATION.



TOP VIEW



FRONT VIEW



SIDE VIEW

TOLERANCE: ±1/8	GAL. TO OVERFLOW: 91	<b>GENERAL NOTES</b> BATHING WELL DIM. TOP 63" X 33 7/8" BOTTOM 50 1/8" X 24 7/8" MOTORBOARD SHALL NOT EXTEND PAST FLANGE AIR LIDS ARE REPRESENTATION ONLY
REV: A	OPERATING CAPACITY:	
ECO NO.: 3132	DRAWN BY: SSW	
ECO DATE: 6/14/10	FIN. INTERIOR:	

**AQUA GLASS**®

320 INDUSTRIAL PARK RD.  
ADAMSVILLE, TN 38310

PRODUCT OR PART NO.:  
607242CC

PRODUCT NAME  
ACRYLIC  
AIR  
TUB