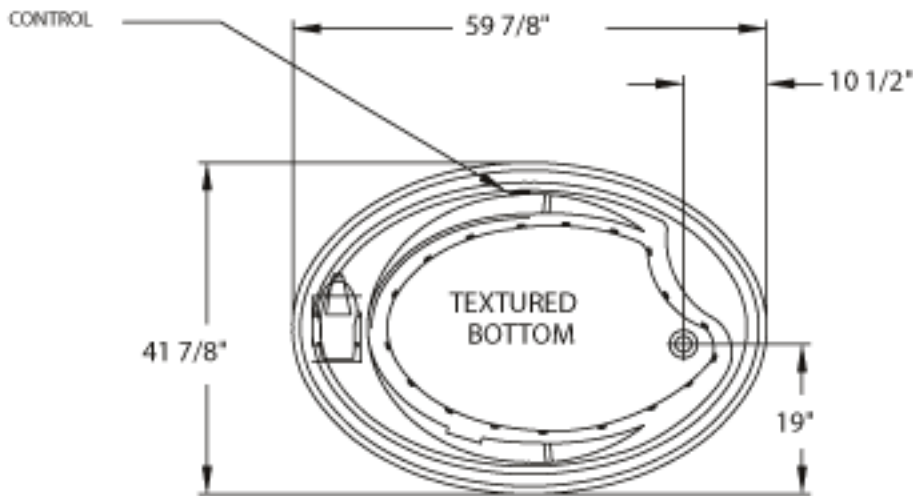
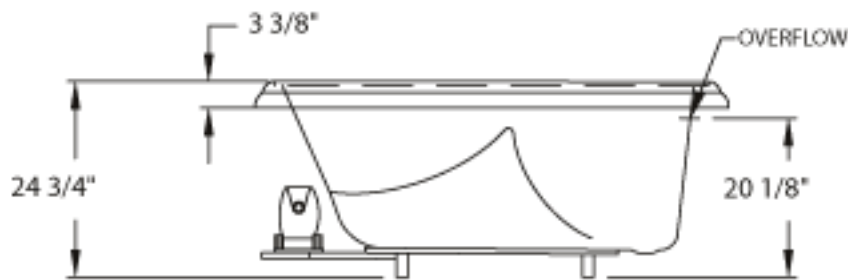


INFORMATION IN THIS DRAWING IS SUBJECT TO CHANGE WITHOUT NOTICE. NO PART OF THIS DRAWING MAY BE REPRODUCED OR TRANSMITTED IN ANY FORM OR BY ANY MEANS, ELECTRONIC OR MECHANICAL, FOR ANY PURPOSE WITHOUT THE WRITTEN PERMISSION OF AQUA GLASS CORPORATION.



TOP VIEW



FRONT VIEW



SIDE VIEW

TOLERANCE: ±1/4	GAL. TO OVERFLOW: 67	<b>GENERAL NOTES</b>  BATHING WELL DIML. TOP 52" X 34 1/2" BOTTOM 39 1/4" X 25"  AIR JETS FOR REPRESENTATION ONLY  MOTORBOARD SHALL NOT EXTEND PAST FLANGE
REV: A	OPERATING CAPACITY:	
ECO NO.: 3132	DRAWN BY: SSW	
ECO DATE: 7/29/10	FIN. INTERIOR:	

**AQUA GLASS®**  
 320 INDUSTRIAL PARK RD.  
 ADAMSVILLE, TN 38310

PRODUCT OR PART NO.: 606042BC
PRODUCT NAME ACRYLIC AIR TUB