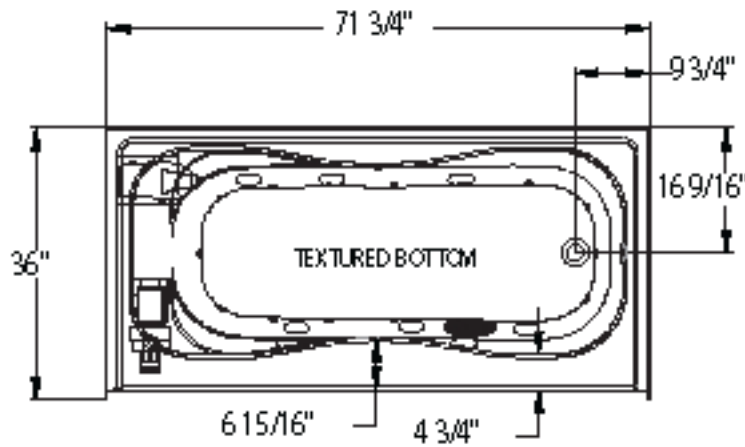
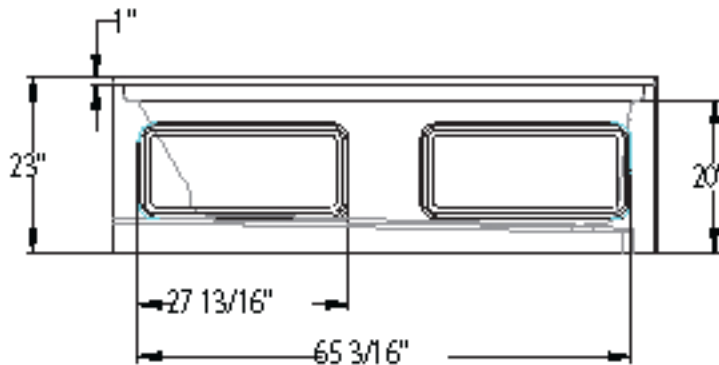


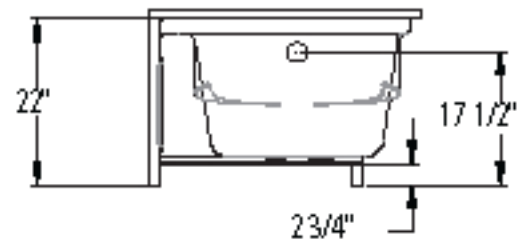
INFORMATION IN THESE DRAWINGS IS SUBJECT TO CHANGE WITH/OUT NOTICE. NO PART OF THESE DRAWINGS SHALL BE REPRODUCED OR TRANSMITTED IN ANY FORM OR BY ANY MEANS, ELECTRONIC OR MECHANICAL, FOR ANY PURPOSE, WITHOUT THE WRITTEN PERMISSION OF AQUA GLASS CORPORATION.



TOP VIEW



FRONT VIEW



SIDE VIEW

TOLERANCE: ±1/4"	GAL. TO OVERFLOW: 64	GENERAL NOTES BATHING W/LLDOM. TOP 64 3/8" X 22 3/16" BOTTOM 56 5/8" X 22 1/4"	AQUA GLASS®	PRODUCT OR PART NO: 5C7236D-R/L
REV: 0	OPERATING CAPACITY: 0			PRODUCT NAME
ECO NO.: 3084	DRAWN BY: CCE		320 INDUSTRIAL PARK RD. ADAMSVILLE, TN 38310	ACRYLIC WHIRL/AIR TUB
ECO DATE: 6/15/10	FIN. INTERIOR: 6,192 in ²			