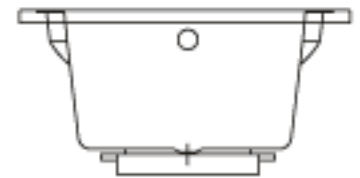
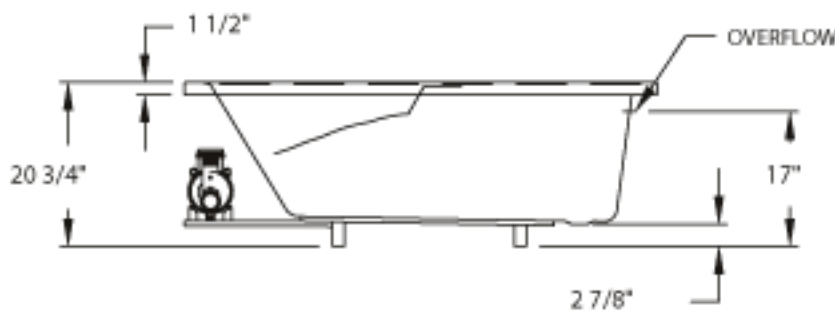
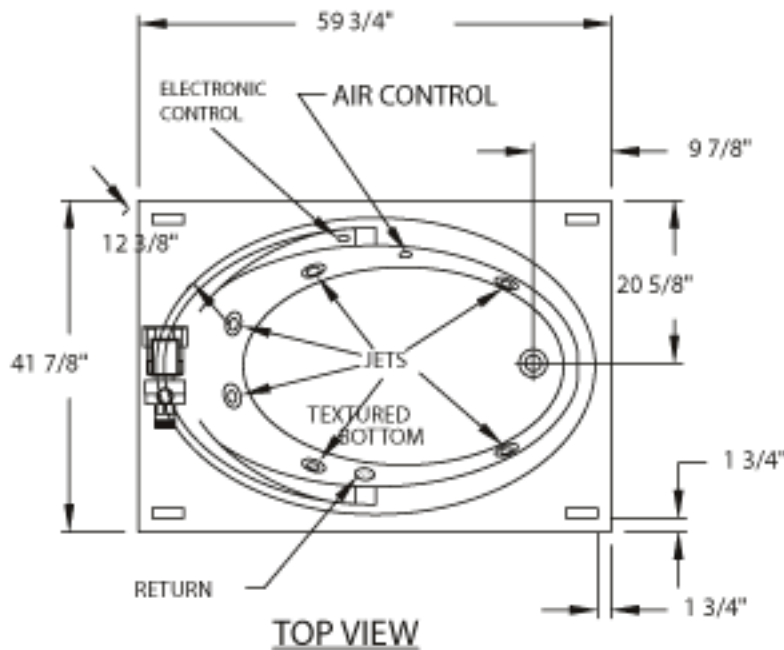


INFORMATION IN THIS DRAWING IS SUBJECT TO CHANGE WITHOUT NOTICE. NO PART OF THIS DRAWING MAY BE REPRODUCED OR TRANSMITTED IN ANY FORM OR BY ANY MEANS, ELECTRONIC OR MECHANICAL, FOR ANY PURPOSE WITHOUT THE WRITTEN PERMISSION OF AQUA GLASS CORPORATION.



**FRONT VIEW**

**SIDE VIEW**

TOLERANCE: ±1/4	GAL. TO OVERFLOW: 0	<b>GENERAL NOTES</b>  BATHING WELL DIM. TOP 52 3/8" X 30 5/4" BOTTOM 40 7/8" X 25 1/2"  MOTORBOARD SHALL NOT EXTEND PAST FLANGE	  320 INDUSTRIAL PARK RD. ADAMSVILLE, TN 38310	PRODUCT OR PART NO.:
REV: G	OPERATING CAPACITY: 0			566042BC
ECO NO.:	DRAWN BY:			PRODUCT NAME
3132	JAJ			<b>BUILDER ACRYLIC WHIRLPOOL</b>
ECO DATE:	FIN. INTERIOR:			
7/22/10	XX in ±			