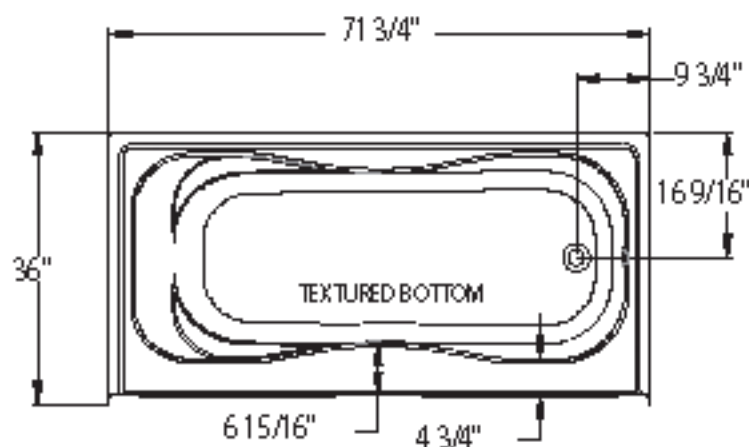
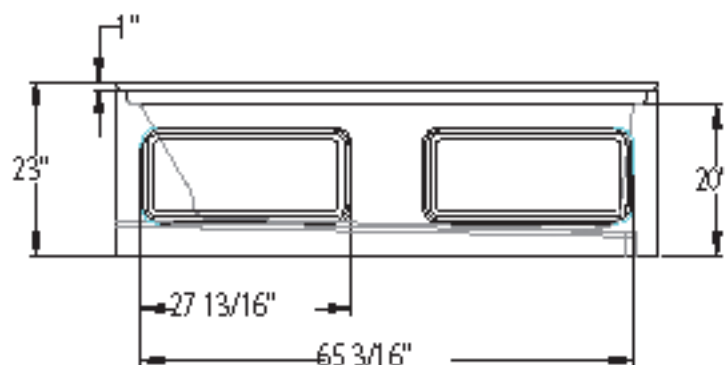


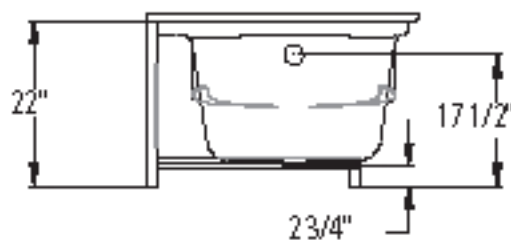
INFORMATION IN THIS DRAWING IS SUBJECT TO CHANGE WITHOUT NOTICE. NO PART OF THIS DRAWING MAY BE REPRODUCED OR TRANSMITTED IN ANY FORM OR BY ANY MEANS, ELECTRONIC OR MECHANICAL, FOR ANY PURPOSE, WITHOUT THE WRITTEN PERMISSION OF AQUA GLASS CORPORATION.



TOP VIEW



FRONT VIEW



SIDE VIEW

| | | | | |
|----------------------|---|--|--|---|
| TOLERANCE: ±1/4 | GAL TO OVERFLOW: 64 | GENERAL NOTES BATHING YELLOW. TOP 64 7/8" x 22 3/16" BOTTOM 56 5/8" x 22 1/4" | AQUA GLASS ® 320 INDUSTRIAL PARK RD. ADAMSVILLE, TN 38310 | PRODUCTOR PART NO: 547236D-R/L |
| REV: A | OPERATING CAPACITY: 0 | | | PRODUCT NAME ACRYLIC SOAKING TUB |
| SCO NO: 2210 | DRAWN BY: JA. JOHNSON | | | |
| SCO DATE 09-14-07 | FIN. INTERIOR: 6,192 in ² | | | |