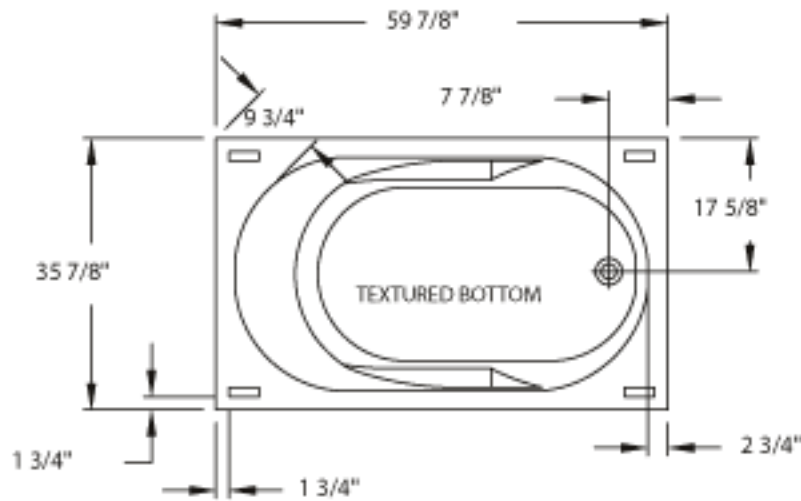
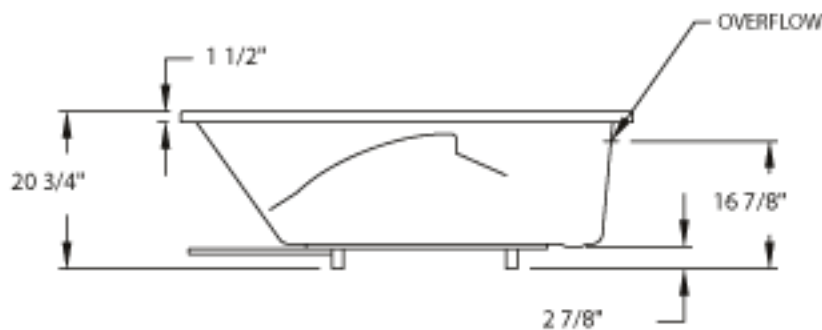


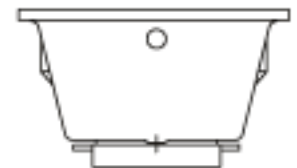
INFORMATION IN THIS DRAWING IS  
 SUBJECT TO CHANGE WITHOUT NOTICE.  
 NO PART OF THIS DRAWING MAY BE  
 REPRODUCED OR TRANSMITTED IN ANY  
 FORM OR BY ANY MEANS, ELECTRONIC  
 OR MECHANICAL, FOR ANY PURPOSE  
 WITHOUT THE WRITTEN PERMISSION OF  
 AQUA GLASS CORPORATION.



TOP VIEW



FRONT VIEW



SIDE VIEW

<p>TOLERANCE: ±1/4</p> <p>REV: C</p> <p>SCO. NO.: 1258</p> <p>SCO. DATE: 11/14/05</p>	<p><b>AQUA GLASS®</b></p> <p>320 INDUSTRIAL PARK RD. ADAMSVILLE, TN 38310</p>	<p>PRODUCT NO.: 546036BC</p> <p>PRODUCT NAME: <b>BUILDER ACRYLIC SOAKING TUB</b></p>	<p>GENERAL NOTES:</p> <p>BATHING WELL DIM. TOP 54 5/8" X 30 3/8" BOTTOM 41 3/8" X 21 7/8"</p> <p>MOTORBOARD SHALL NOT EXTEND PAST FLANGE</p>
---	---	--	--