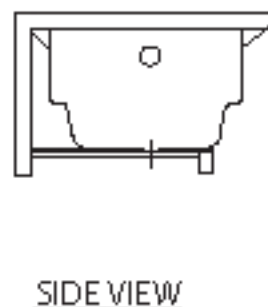
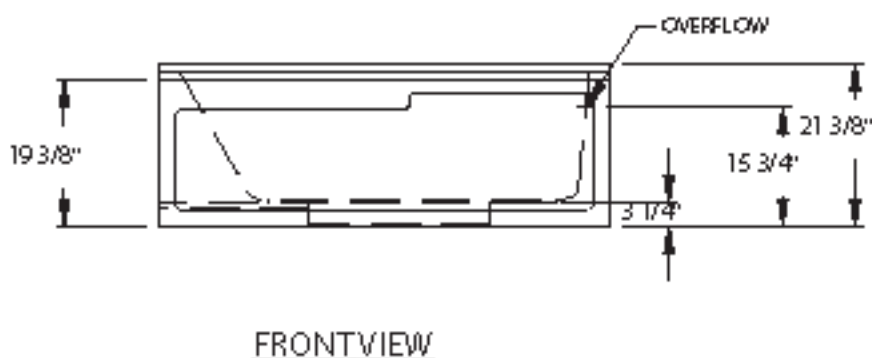
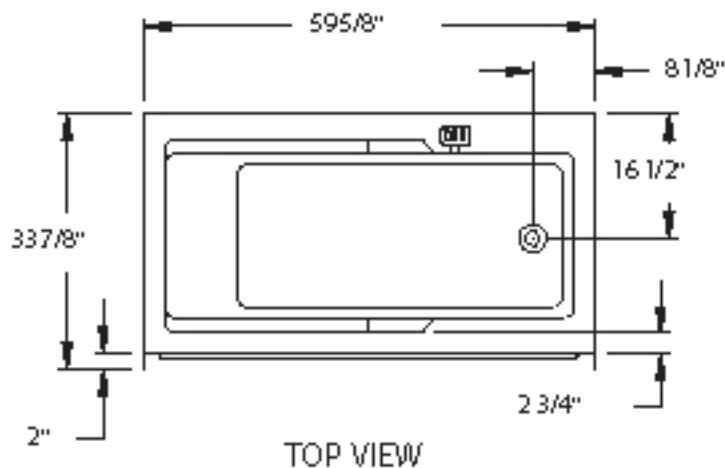


INFORMATION IN THIS DRAWING IS
 SUBJECT TO CHANGE WITHOUT NOTICE.
 NO PART OF THIS DRAWING MAY BE
 REPRODUCED OR TRANSMITTED IN ANY
 FORM OR BY ANY MEANS, ELECTRONIC
 OR MECHANICAL, FOR ANY PURPOSE
 WITHOUT THE WRITTEN PERMISSION OF
 AQUA GLASS CORPORATION.



TOLERANCE:	±1/4
REV:	0
SCQ NO:	2003
SCQ DATE:	12/15/06

AQUA GLASS®

320 INDUSTRIAL PARK RD.
 ADAMSVILLE, TN 38310

PRODUCT NO:
 546034A-R/L

PRODUC TNAME:
 ACRYLIC
 SOAKING
 TUB

GENERAL NOTES:

BATHING WELL DIM.
 TOP 54 1/8" X 25 5/8"
 BOTTOM 43" X 21 5/8"