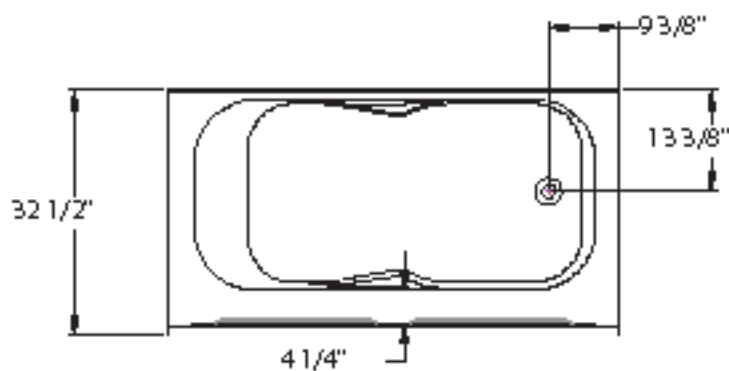
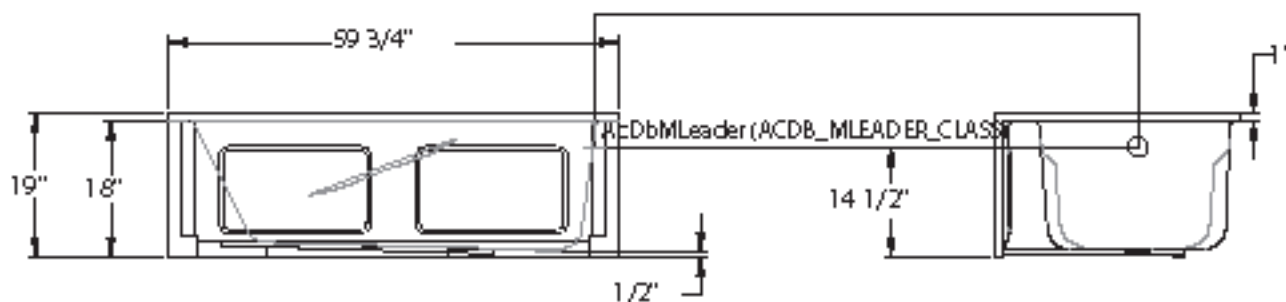


INFORMATION IN THIS DRAWING IS SUBJECT TO CHANGE WITHOUT NOTICE. NO PART OF THIS DRAWING MAY BE REPRODUCED OR TRANSMITTED IN ANY FORM OR BY ANY MEANS, ELECTRONIC OR MECHANICAL, FOR ANY PURPOSE, WITHOUT THE WRITTEN PERMISSION OF AQUA GLASS CORPORATION.



TOP VIEW



FRONT VIEW

SIDE VIEW

TOLERANCE: ±1/4	GAL TO OVERFLOW: 58	GENERAL NOTES  BATHING WELL DIM TOP 53 1/8" X 21 3/16" BOTTOM 44 1/4" X 20 5/16"	<b>AQUA GLASS</b> ®  320 INDUSTRIAL PARK RD. ADAMSVILLE, TN 38310	PRODUCER PART NO: 546032 D-R/L
REV: 0	OPERATING CAPACITY: 0			PRODUCT NAME BUILDER ACRYLIC SOAKING TUB
SCO NO: 2191	DRAWN BY: JA. JOHNSON			
SCO DATE 08-23-07	FIN. INTERIOR: S,040 in			