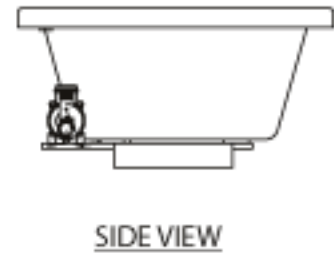
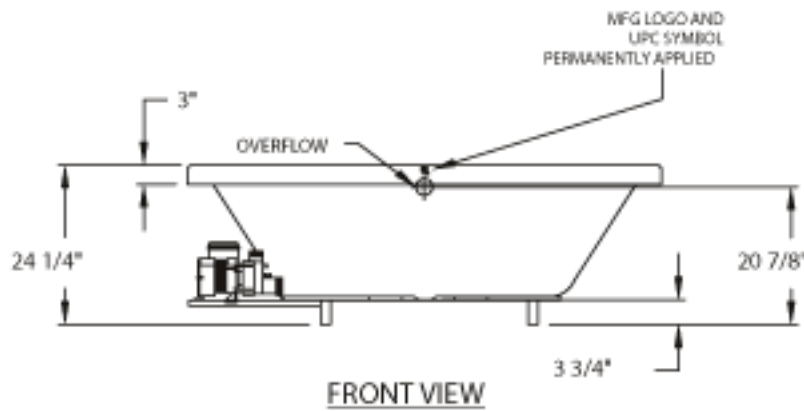
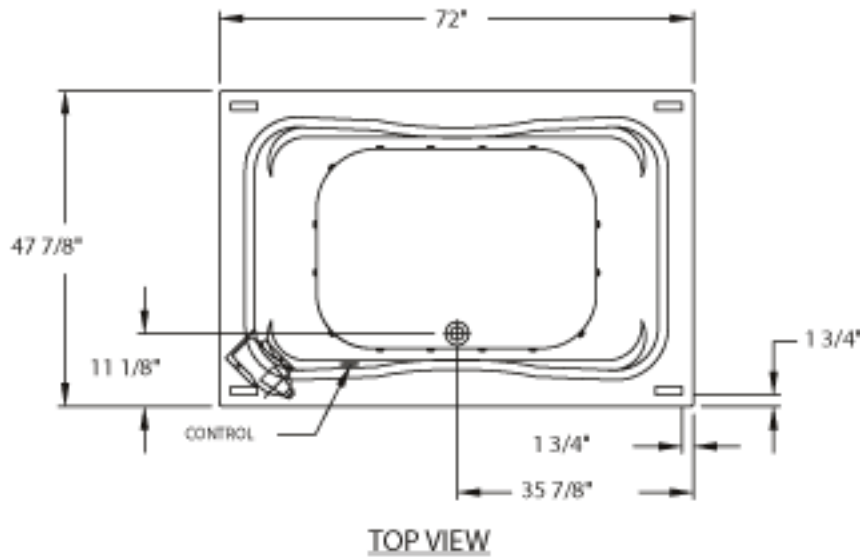


INFORMATION IN THIS DRAWING IS SUBJECT TO CHANGE WITHOUT NOTICE. NO PART OF THIS DRAWING MAY BE REPRODUCED OR TRANSMITTED IN ANY FORM OR BY ANY MEANS, ELECTRONIC OR MECHANICAL, FOR ANY PURPOSE WITHOUT THE WRITTEN PERMISSION OF AQUA GLASS CORPORATION.



TOLERANCE: ±1/4	GAL. TO OVERFLOW:	GENERAL NOTES BATHING WELL DIM. TOP 63 1/8" X 34 5/8" BOTTOM 42 1/2 X 30 1/8" AIR JETS ARE REPRESENTATION ONLY	 320 INDUSTRIAL PARK RD. ADAMSVILLE, TN 38310	PRODUCT OR PART NO.:
REV: A	OPERATING CAPACITY:			507248BC
ECO NO.:	DRAWN BY:			PRODUCT NAME
ECO DATE:	FIN. INTERIOR:			ACRYLIC AIR TUB