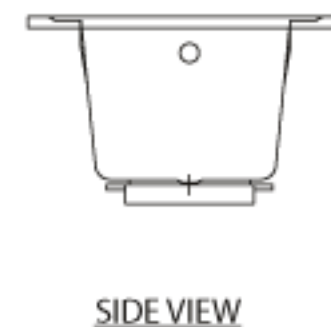
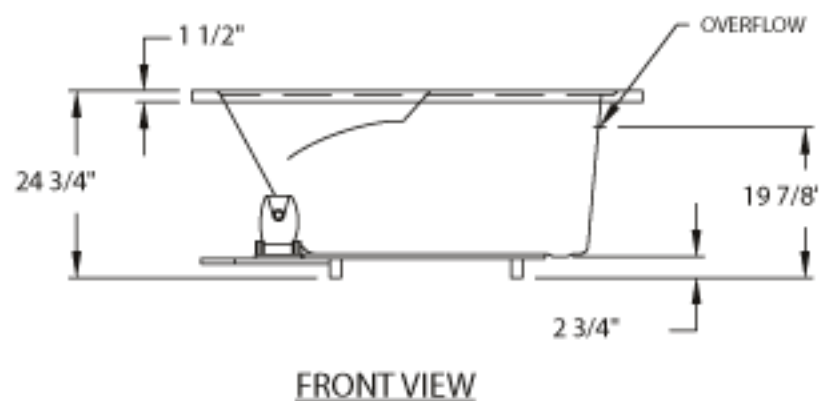
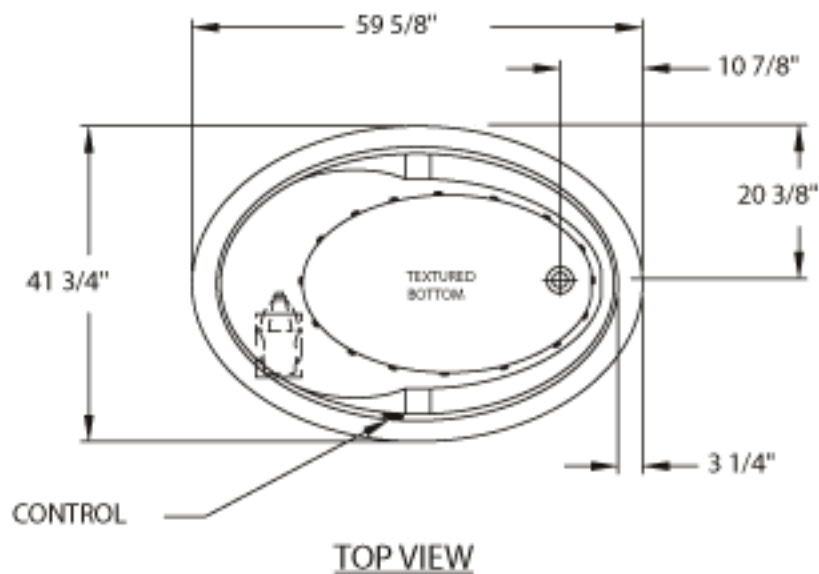


INFORMATION IN THIS DRAWING IS
 SUBJECT TO CHANGE WITHOUT NOTICE.
 NO PART OF THIS DRAWING MAY BE
 REPRODUCED OR TRANSMITTED IN ANY
 FORM OR BY ANY MEANS, ELECTRONIC
 OR MECHANICAL, FOR ANY PURPOSE
 WITHOUT THE WRITTEN PERMISSION OF
 AQUA GLASS CORPORATION.



TOLERANCE: ±1/4	GAL. TO OVERFLOW: 61	GENERAL NOTES BATHING WELL DIM. TOP 51" X 34" 1/4" BOTTOM 38 1/2" X 23 1/2" MOTORBOARD SHALL NOT EXTEND PAST FLANGE AIR JETS ARE REPRESENTATION ONLY	AQUA GLASS® 320 INDUSTRIAL PARK RD. ADAMSVILLE, TN 38310	PRODUCT OR PART NO.: 506042CC
REV: A	OPERATING CAPACITY:			PRODUCT NAME ACRYLIC AIR TUB
ECO NO.: 3132	DRAWN BY: SHAWN WHITE			
ECO DATE: 6/10/10	FIN. INTERIOR: in ²			