



**213637CC00**

36" x 37" x 76"

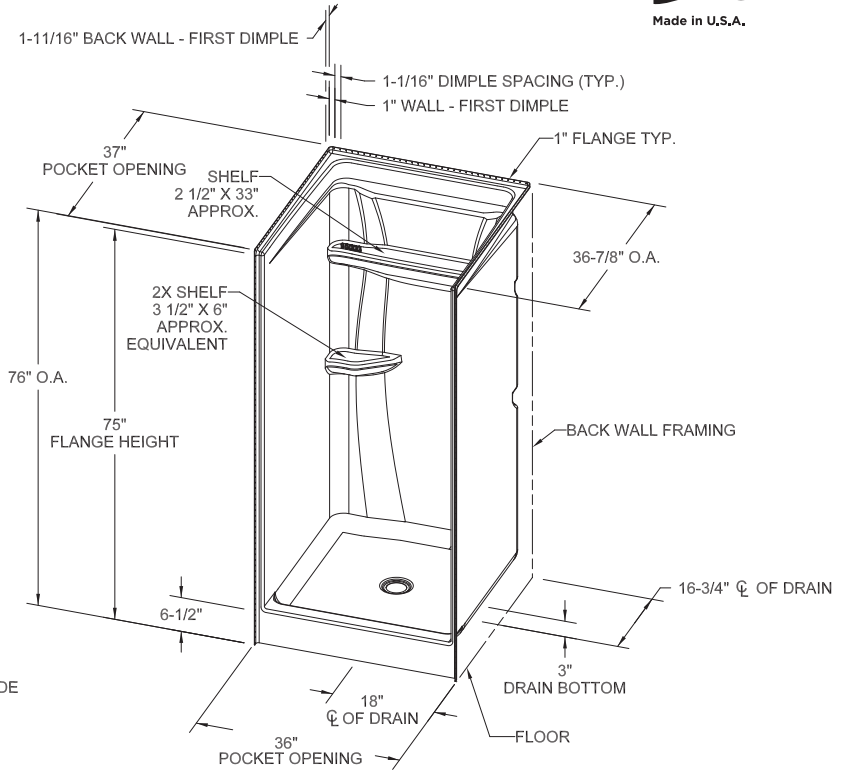
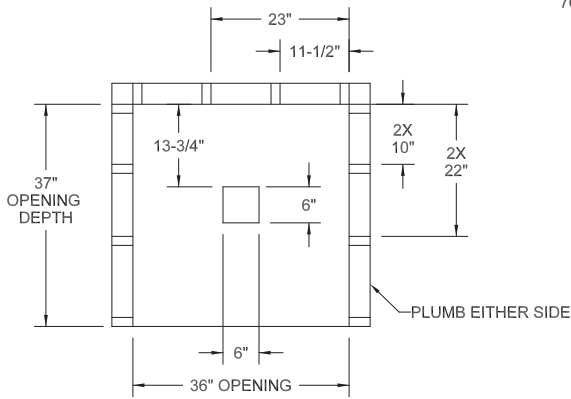
- High gloss acrylic surface
- Smooth, easy-to-handle backing
- Built-in screw guides
- One piece shower



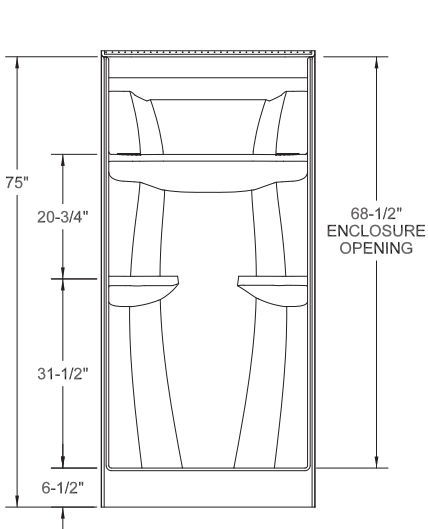
IAPMO/ANSI Z124.1.2-2005  
CAN/CSA B45.5-02



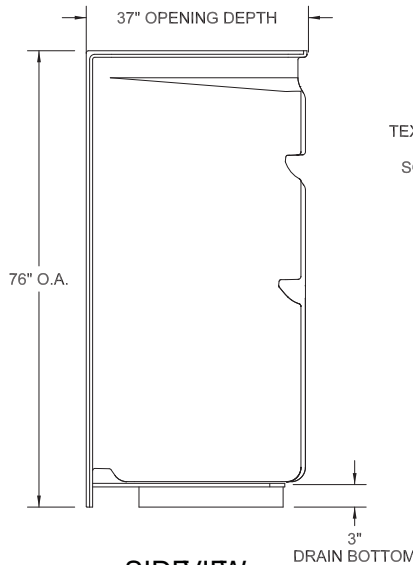
Made in U.S.A.



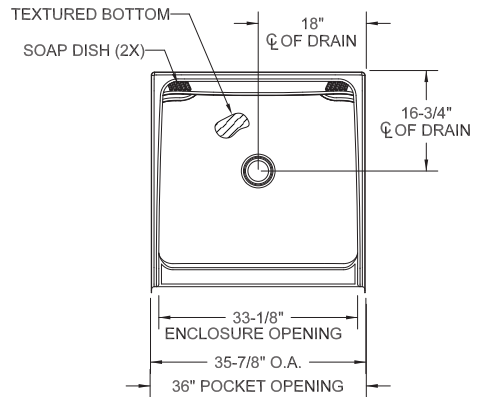
**DRAIN AND STUD PLACEMENT**



FRONT VIEW



SIDE VIEW



TOP VIEW



GREENGUARD certified products meet stringent indoor air quality standards, creating healthier indoor environments. Visit [greenguard.org](http://greenguard.org) to learn more.

Products made with Innovex™ Technology are compliant with ASTM E84-09a Class C in accordance with the NFPA and IBC classification. This test is equivalent to UL 732, ANSI/NFPA No. 255, and UBC No. 8-1.

\*  $\varnothing$  MARK DENOTES CENTERLINE.  
\*O.A. ABBREVIATION FOR OVERALL