



213232EC
32" x 32" x 76" Shower

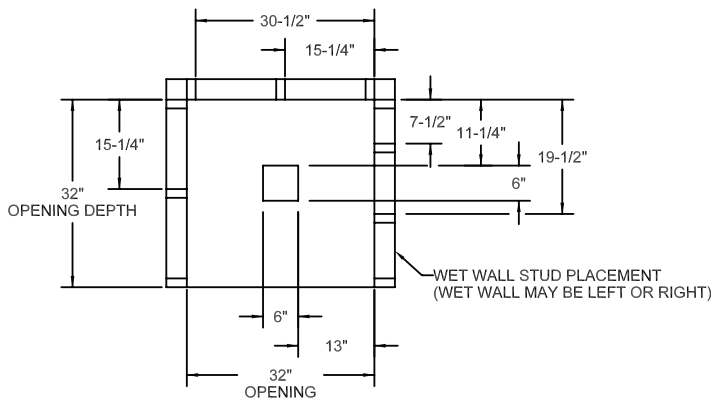
- High Gloss Acrylic Surface
- Smooth, easy-to-handle backing
- Built-in Screw Guides
- One-Piece Shower



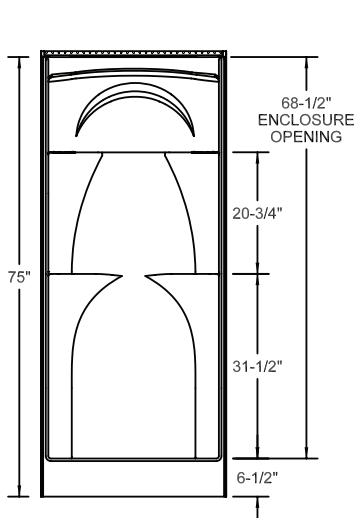
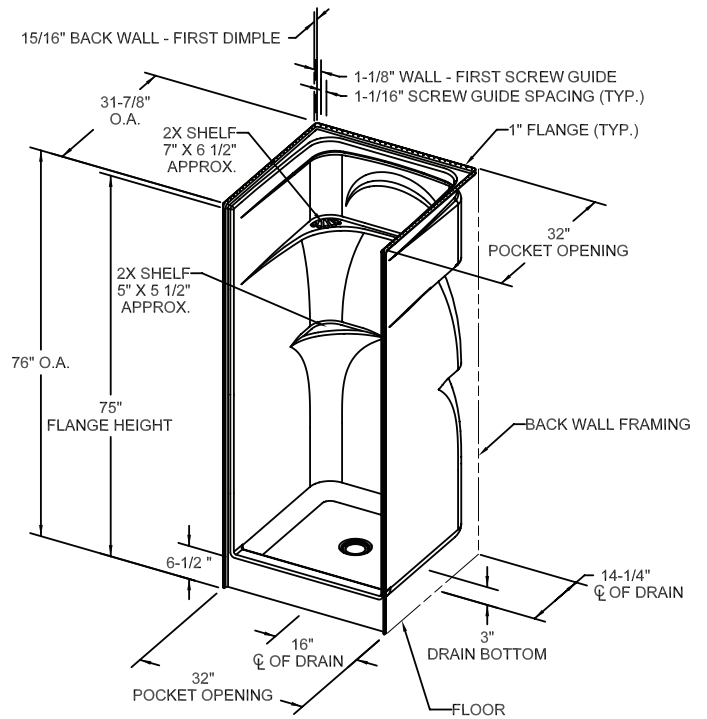
ANSI Z124.1.2



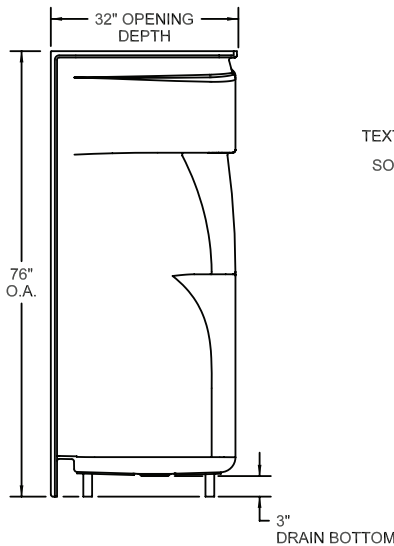
Made in U.S.A.



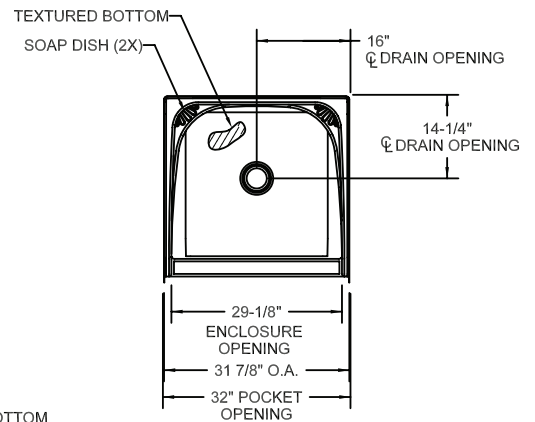
DRAIN AND STUD PLACEMENT



FRONT VIEW



SIDE VIEW



TOP VIEW



GREENGUARD certified products meet stringent indoor air quality standards, creating healthier indoor environments. Visit greenguard.org to learn more.

Products made with Innovex® Technology are compliant with ASTM E84-09a Class C in accordance with the NFPA and IBC classification. This test is equivalent to UL 732, ANSI/NFPA No. 255, and UBC No. 8-1.

* ϕ MARK DENOTES CENTERLINE.
 *O.A. ABBREVIATION FOR OVERALL