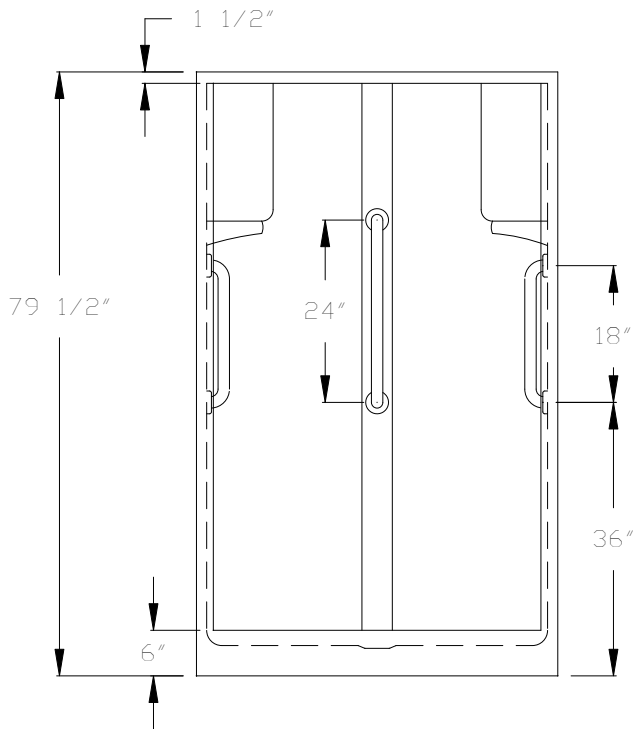
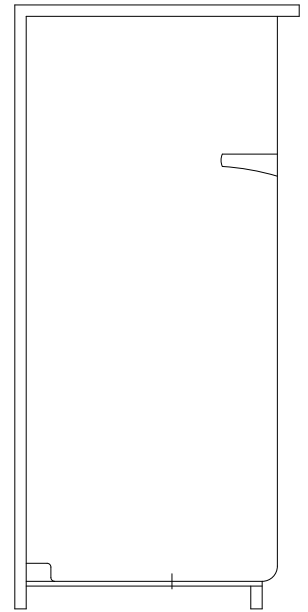


TOP VIEW



FRONT VIEW



SIDE VIEW

TOLERANCE:	±1/4
REV.:	0
SCO. NO.:	748
SCO. DATE:	11/30/03

**AQUA GLASS**®  
 320 INDUSTRIAL PARK RD.  
 ADAMSVILLE, TN 38310

PRODUCT NO.:	614837FC
PRODUCT NAME:	DOMELESS ACRYLIC OPTION 5

GENERAL NOTES:
SHOWER DOOR OPENING: 43 1/8" X 72"