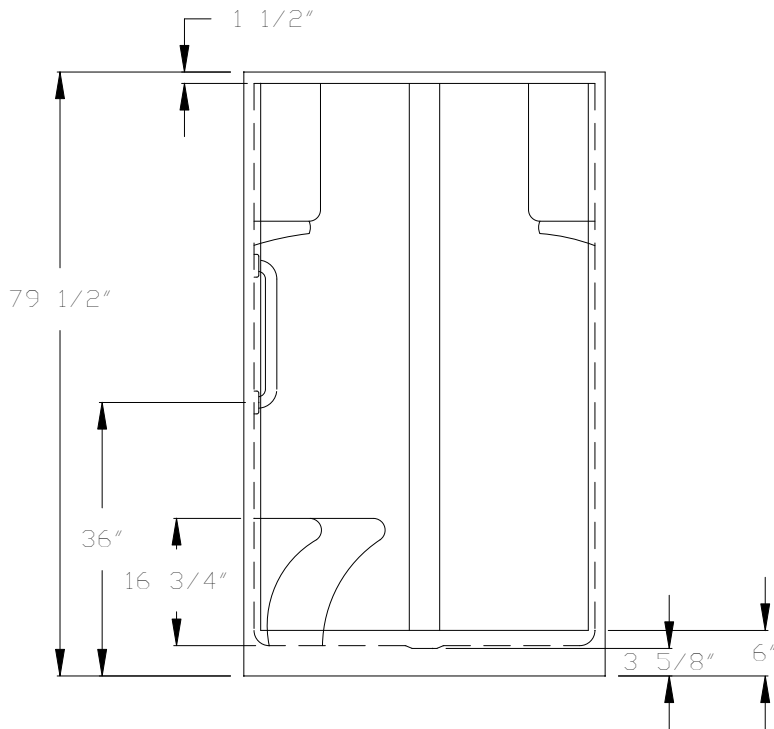
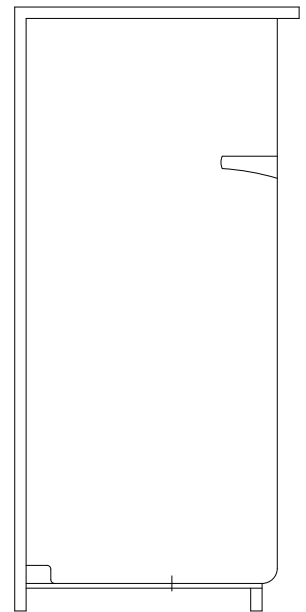


TOP VIEW



FRONT VIEW



SIDE VIEW

TOLERANCE:	±1/4
REV.:	0
SCO. NO.:	749
SCO. DATE:	11/30/

AQUA GLASS®
 320 INDUSTRIAL PARK RD.
 ADAMSVILLE, TN 38310

PRODUCT NO.:
 614837G-R/L
 PRODUCT NAME:
 DOMELESS
 ACRYLIC
 OPTION 1

GENERAL NOTES:
 SHOWER DOOR OPENING:
 43 8" X 72"