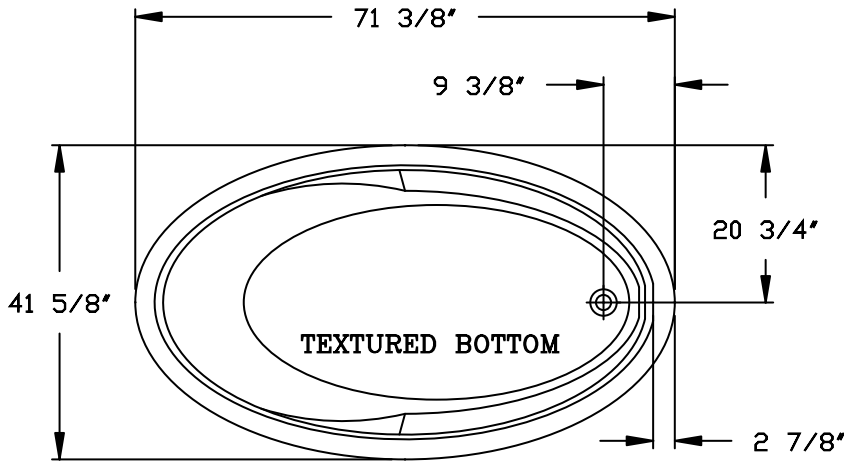
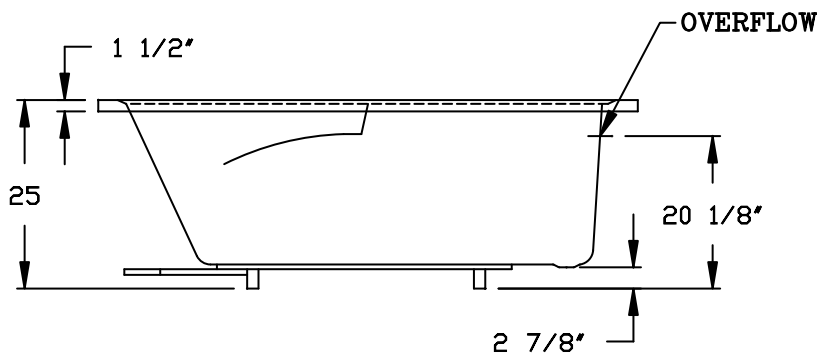


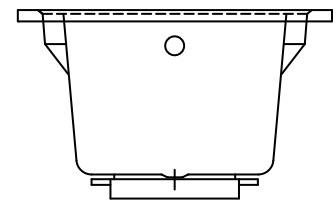
INFORMATION IN THIS DRAWING IS SUBJECT TO CHANGE WITHOUT NOTICE. NO PART OF THIS DRAWING MAY BE REPRODUCED OR TRANSMITTED IN ANY FORM OR BY ANY MEANS, ELECTRONIC OR MECHANICAL, FOR ANY PURPOSE WITHOUT THE WRITTEN PERMISSION OF AQUA GLASS CORPORATION.



TOP VIEW



FRONT VIEW



SIDE VIEW

TOLERANCE:

±1/4

REV.:

SCO. NO.:

946

SCO. DATE:

8/27/04

AQUA GLASS®

320 INDUSTRIAL PARK RD.
ADAMSVILLE, TN 38310

PRODUCT NO.:

547242DC

PRODUCT NAME:

BUILDER
ACRYLIC
SOAKING TUB

GENERAL NOTES:

BATHING WELL DIM.
TOP 63 5/8" X 29
BOTTOM 50 3/8" X 25 3/4"

MOTORBOARD SHALL NOT
EXTEND PAST FLANGE